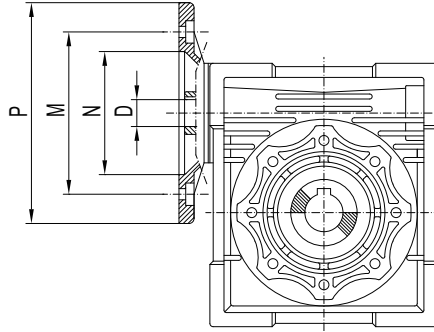


3.0 配置和组合

3.0 DISPOSITION AND COMBINATIONS

3.1 NMRV

3.1 NMRV Pre-disposition

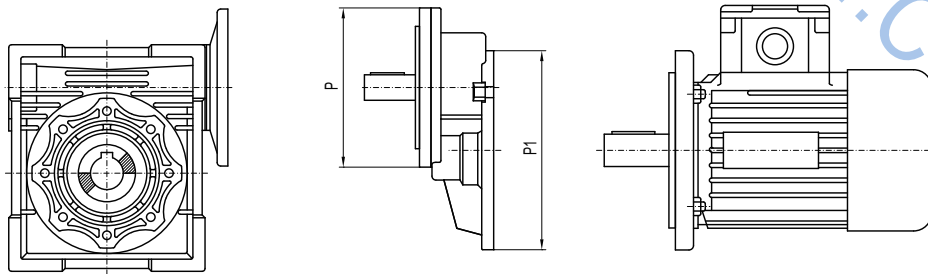


RV	PAM IEC	N	M	P	D											
					5	7.5	10	15	20	25	30	40	50	60	80	100
025	56B14	50	65	80	9	9	9	9	9	-	9	9	9	9	-	-
030	63B5	95	115	140	11	11	11	11	11	11	11	11	11	-	-	-
	63B14	60	75	90												
	56B5	80	100	120	9	9	9	9	9	9	9	9	9	9	9	-
	56B14	50	65	80												
040	71B5	110	130	160	14	14	14	14	14	14	14	14	-	-	-	-
	71B14	70	85	105												
	63B5	95	115	140	11	11	11	11	11	11	11	11	11	11	11	11
	63B14	60	75	90												
	56B5	80	100	120	-	-	-	-	-	-	-	-	9	9	9	9
050	80B5	130	165	200	19	19	19	19	19	19	19	-	-	-	-	-
	80B14	80	100	120												
	71B5	110	130	160	14	14	14	14	14	14	14	14	14	14	14	-
	71B14	70	85	105												
	63B5	95	115	140	-	-	-	-	-	-	-	11	11	11	11	11
063	90B5	130	165	200	-	24	24	24	24	24	24	-	-	-	-	-
	90B14	95	115	140												
	80B5	130	165	200	-	19	19	19	19	19	19	19	19	19	-	-
	80B14	80	100	120												
	71B5	110	130	160	-	-	-	-	-	-	-	14	14	14	14	14
	71B14	70	85	105												
075	100/112B5	180	215	250	-	28	28	28	-	-	-	-	-	-	-	-
	100/112B14	110	130	160												
	90B5	130	165	200	-	24	24	24	24	24	24	24	-	-	-	-
	90B14	95	115	140												
	80B5	130	165	200	-	-	-	-	19	19	19	19	19	19	19	19
	80B14	80	100	120												
	71B5	110	130	160	-	-	-	-	-	-	-	-	14	14	14	14
090	100/112B5	180	215	250	-	28	28	28	28	28	28	-	-	-	-	-
	100/112B14	110	130	160												
	90B5	130	165	200	-	24	24	24	24	24	24	24	24	24	-	-
	90B14	95	115	140												
	80B5	130	165	200	-	-	-	-	-	-	-	19	19	19	19	19
	80B14	80	100	120												
105 110	132B5	230	265	300	-	38	38	38	38	-	-	-	-	-	-	-
	100/112B5	180	215	250	-	28	28	28	28	28	28	28	28	28	-	-
	90B5	130	165	200	-	-	-	-	-	24	24	24	24	24	24	24
	80B5	130	165	200	-	-	-	-	-	-	-	-	-	-	19	19
130	132B5	230	265	300	-	38	38	38	38	38	38	38	-	-	-	-
	100/112B5	180	215	250	-	-	-	-	-	28	28	28	28	28	28	28
	90B5	130	165	200	-	-	-	-	-	-	-	-	-	-	24	24
150	160B5	250	300	350	-	42	42	42	42	42	-	-	-	-	-	-
	132B5	230	265	300	-	-	-	-	38	38	38	38	38	38	-	-
	100/112B5	180	215	250	-	-	-	-	-	-	-	-	28	28	28	28

3.2 PC+NMRV 组合方式

3.2 PC+NMRV Possible combinations

NMRV	IEC	PC063		PC071		PC080			PC090		
		105/11	105/14	120/14	120/19	160/19	160/24	160/28	160/19	160/24	160/28
	i	i=2.93	i=2.93	i=2.94	i=2.94	i=3	i=3	i=3	i=2.45	i=2.45	i=2.45
040	25										
	30										
	40										
	50										
	60										
	80										
050	100										
	25										
	30										
	40										
	50										
	60										
063	80										
	100										
	25										
	30										
	40										
	50										
075	60										
	80										
	100										
	25										
	30										
	40										
090	50										
	60										
	80										
	100										
	25										
	30										
105 110	40										
	50										
	60										
	80										
	100										
	25										
130	30										
	40										
	50										
	60										
	80										
	100										



	P1	P	(P)
PC 063	63B5-140/11	105/11	(105/14)
PC 071	71B5-160/14	120/14	(120/19)
PC 080	80B5-200/19	160/19	(160/24)
			(160/28)
PC 090	90B5-200/24	160/24	(160/19)
			(160/28)

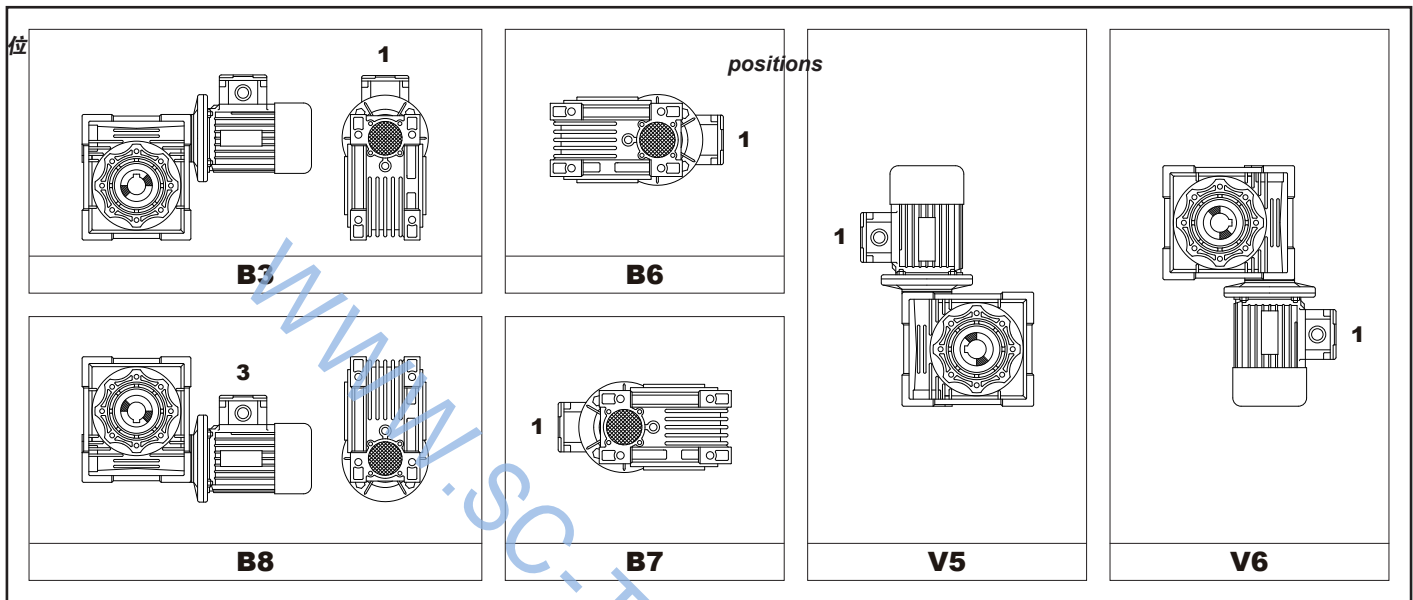
(.) 根据用户要求定制
 (.) Only on request

6.0 安装方位

6.0 MOUNTING POSITIONS

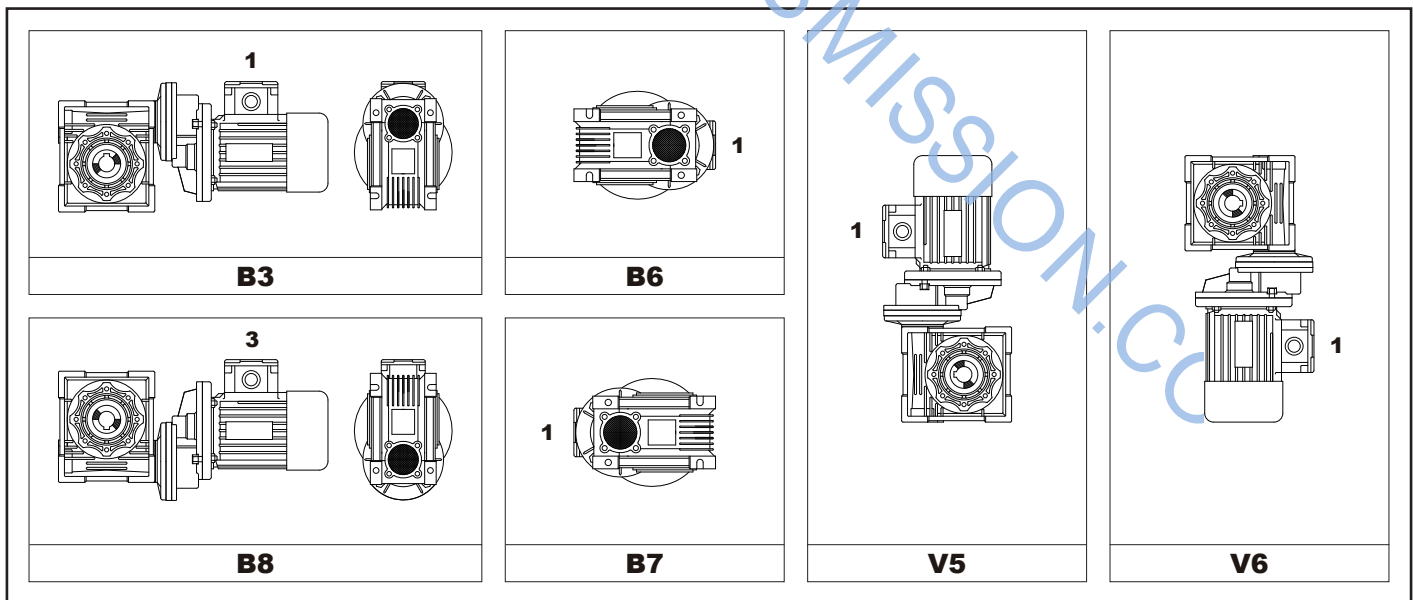
6.1 NMRV - NRV 安装方

6.1 NMRV - NRV Mounting



6.2 PC+NMRV 安装方位

6.2 PC+NMRV Mounting positions

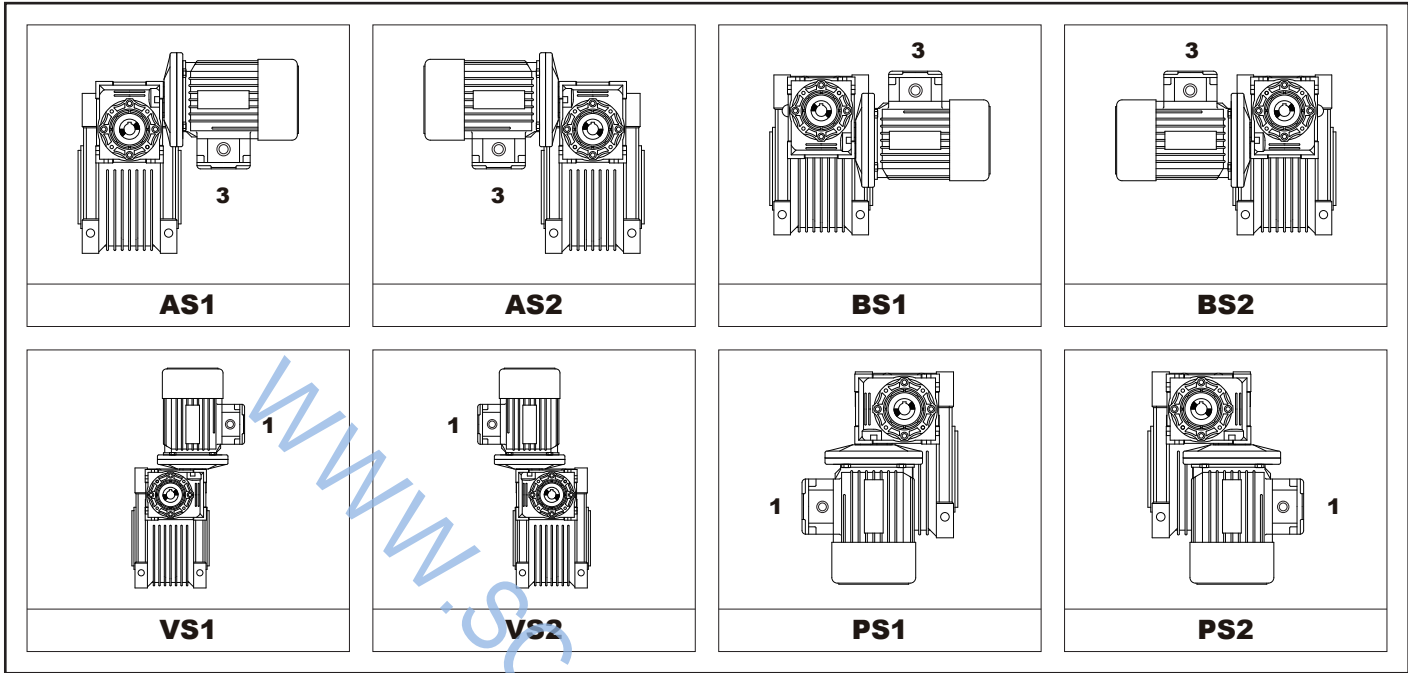


垂直安装时, 请查看5页。
 如无特殊说明, 以B3为标准安装方式。
 无相应的安装方式时, 请与技术服务部联系。

For vertical positions, check with page 5.
 Unless specified otherwise, the standard positions are B3.
 For positions not envisaged, it is necessary to call our technical service.

6.3 **NMRV+NMRV - NRV+NMRV**
 联接方式

6.3 **NMRV+NMRV - NRV+NMRV**
 Execution

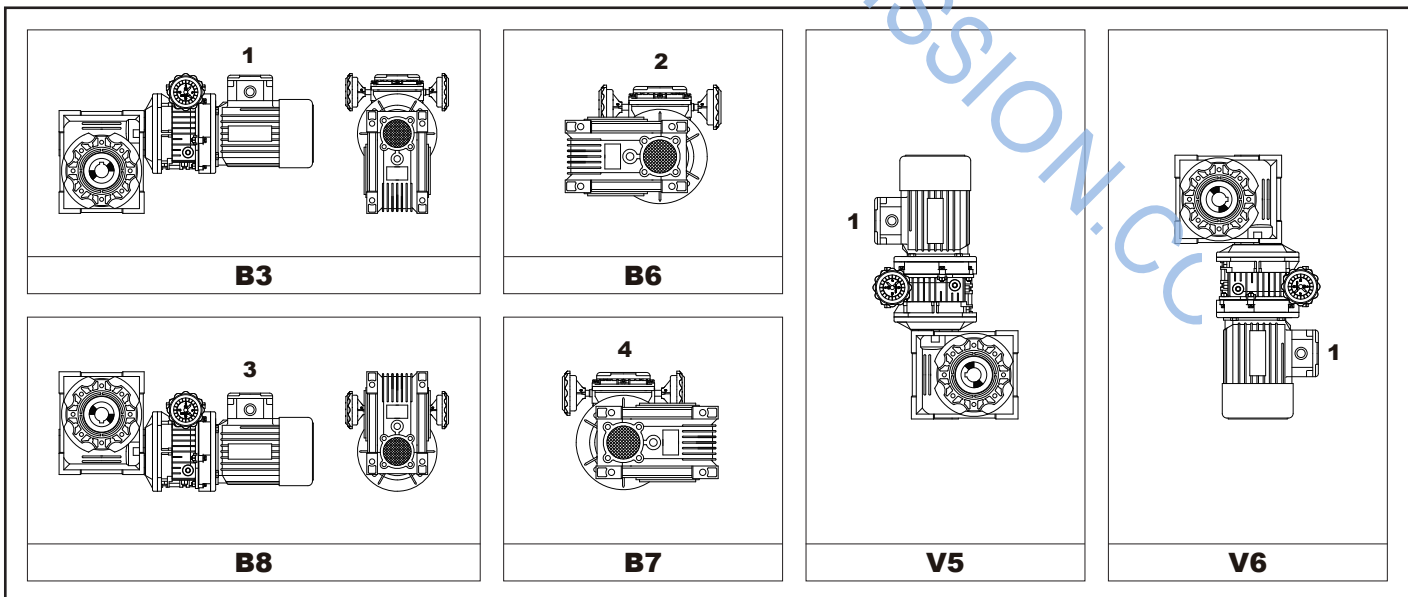


第一级和第二级减速器按上图方式组合，如在订货时没有特别说明，将按照BS2组合方式供货。第二级减速器实际的安装方式，参照23页的方位图。

The position of the 1st reducer with respect to the 2nd gear reducer on the version. Unless otherwise specified at the time of the order, combination groups are supplied in version BS2. The specified mounting position refers to the 2nd gear reducer. See page 23 for the possible mounting positions.

6.4 **UDL(TXF)+NMRV**
 安装方位

6.4 **UDL(TXF)+NMRV**
 Mounting positions



垂直安装时，请查看5页。
 如无特殊说明，以B3为标准安装方式。
 无相应的安装方式时，请与技术服务部联系。

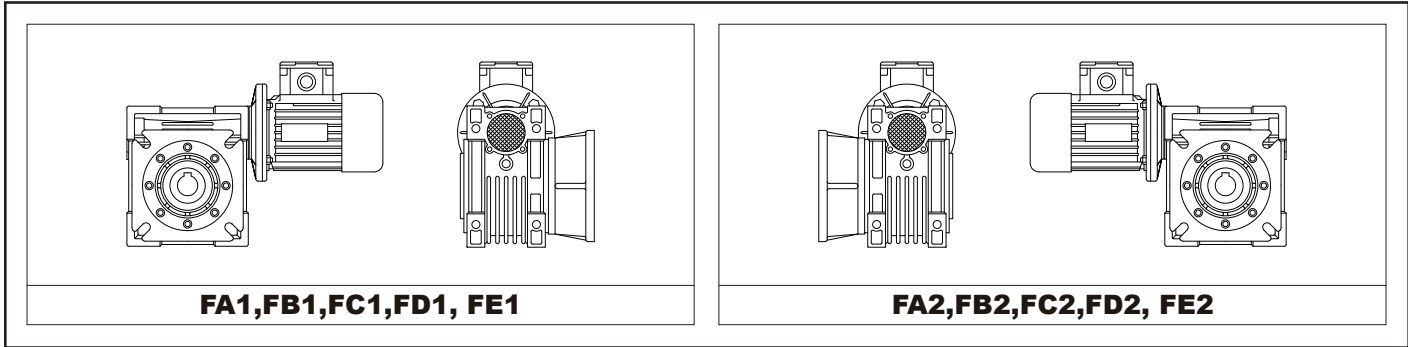
For vertical positions, check with page 5.
 Unless specified otherwise, the standard positions are B3.
 For positions not envisaged, it is necessary to call our technical service.

7.0 附件位置图

7.0 ACCESSORIES POSITIONS DIAGRAM

7.1 输出法兰位置

7.1 Flange mounting side

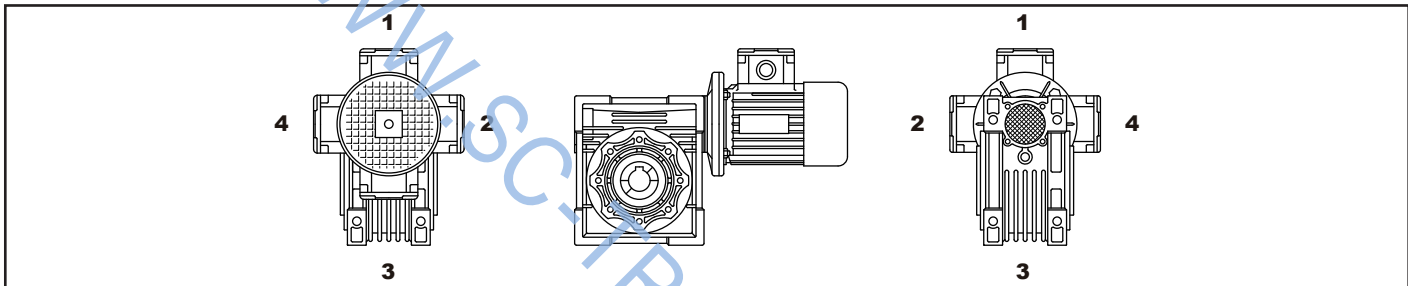


如没有特别说明, 将按照如图F...1和B3安装方位的组合样式供货。

Unless specified otherwise, the reduction unit is supplied with the flange in pos. F...1 referred to position B3.

7.2 电机接线盒方位

7.2 POS. of terminal box

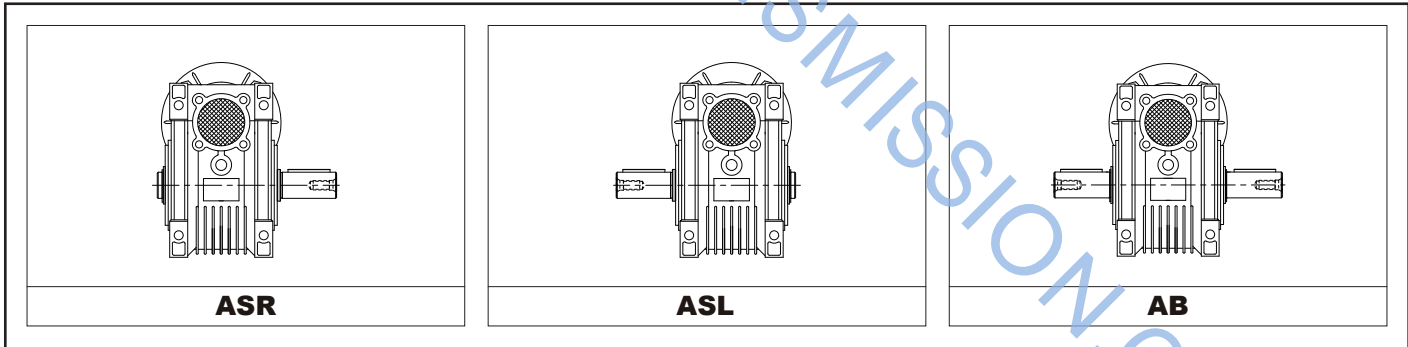


如对电机接线盒位置有特别要求, 在下单时按图示注明方位。

In the case of specific requirements, when ordering, specify the position of the terminal box as show in the diagram.

7.3 输出轴配置

7.3 POS. of output shaft

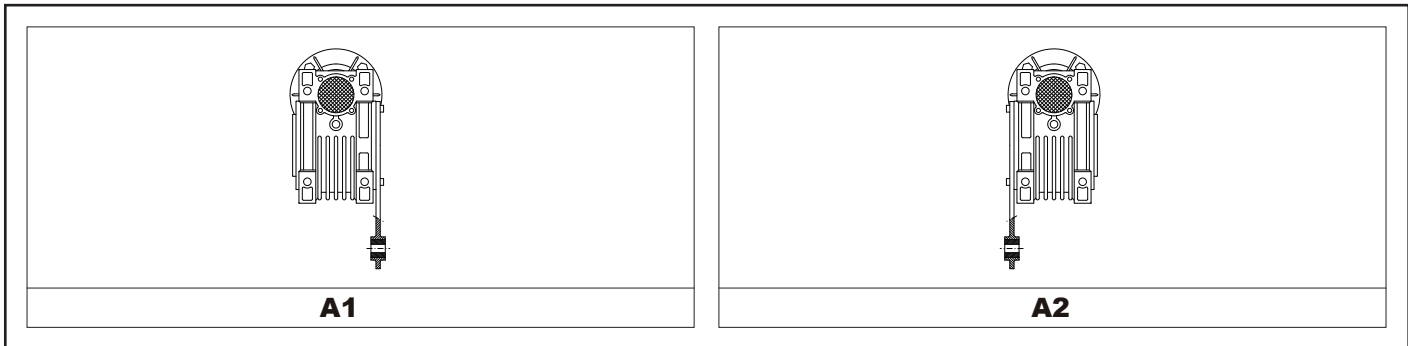


如没有特别说明, 将按照如图ASR和B3安装方位的组合样式供货。

Unless specified otherwise, the reduction unit is supplied with the flange in pos. ASR referred to position B3.

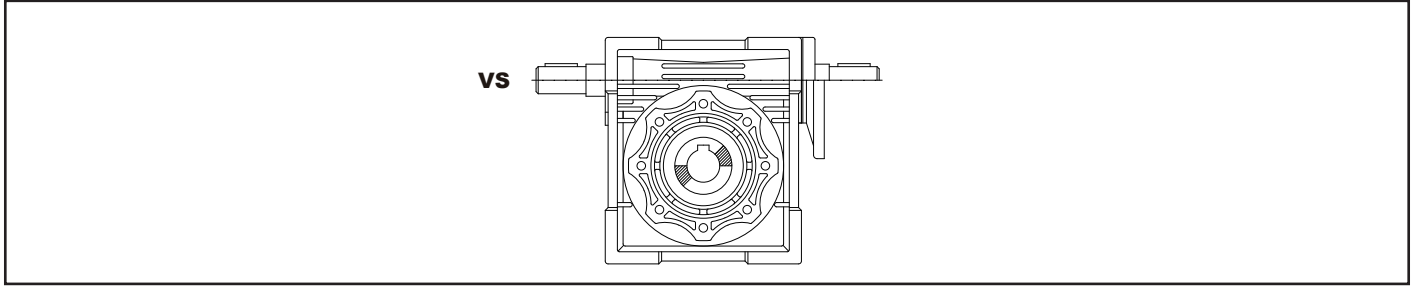
7.4 扭力臂配置

7.4 POS. of torque arm



如没有特别说明, 将按照如图A1和B3安装方位的组合样式供货。

Unless specified otherwise, the reduction unit is supplied with the flange



8.0 径向负荷

8.1 径向负荷

通过下列公式可计算轴上的承受重量:

$$F_{re} = \frac{2000 \cdot M \cdot f_z}{D} \leq F_{r1} \text{ 或 } F_{r2}$$

F_{re} = 轴所承受的径向负荷 (N)

M = 扭矩 (Nm)

D = 在轴上的传动元件之直径 (mm)

F_r = 最大径向承受力 (参考有关图表) (N)

f_z = 1.1 齿轮
1.4 链轮
1.7 V-带轮
2.5 平直带轮

当径向负荷没有作用在轴伸中点时, 就需要用以下公式计算:

$$F_{re} \leq \frac{F_r \cdot a}{(b+x)} \leq F_{r1} \text{ max 或 } F_{r2} \text{ max}$$

a , b , x : 有关参数表见第27页

8.2 径向负荷-技术说明

轴所允许负载的负荷(N)可从相关的图表中查找或从已推出的减速器相关资料中查找。它包括了当负荷与主轴在同一中心线的计算, 也有不在同心线的情况下的好几种可能角度和转向。

当径向与轴向负载同时存在时, 最大的允许轴向负载值只是径向负载值的五分之一。图表中所表示的是输出轴的最大承重量。

在日常操作中, 绝对不可以超过图表的数值, 因为关系到外壳的承受极限。在特殊情况下, 如轴的负载重量必须要超过这本样本中的数值极限。请与技术人员联系并查阅使用说明书: 负载指示, 轴的旋转方向, 应用种类。

8.0 RADIAL LOAD

8.1 Radial load

The radial load on the shaft is calculated with the following formula:

$$F_{re} = \frac{2000 \cdot M \cdot f_z}{D} \leq F_{r1} \text{ o } F_{r2}$$

F_{re} (N) Resulting radial load

M (Nm) Torque on the shaft

D (mm) Diameter of the transmission member mounted on the shaft

F_r (N) Value of the maximum admitted radial load (see relative tables)

f_z = 1,1 gear pinion
1,4 chain wheel
1,7 v-pulley
2,5 flat pulley

When the resulting radial load is not applied on the centre line of the shaft, it is necessary to calculate the effective load with the following formula:

$$F_{re} \leq \frac{F_r \cdot a}{(b+x)} \leq F_{r1} \text{ max o } F_{r2} \text{ max}$$

a , b , x = values given in the tables on page 27

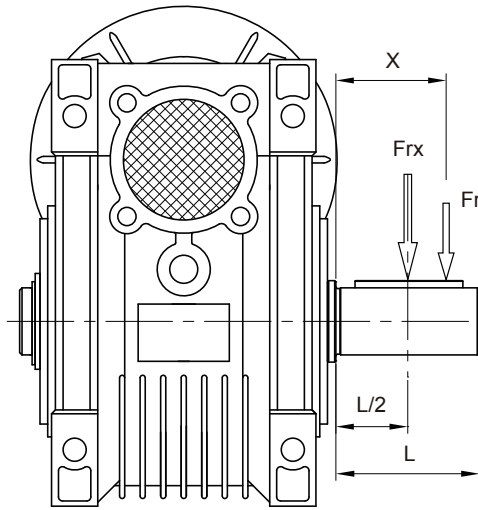
8.2 Radial load-Technical descriptions

The value of the admissible radial load (N) is given in the tables relating to the performance of the reduction unit at issue. It is related to the load applied on the centre line of the shaft and in the most unfavourable conditions of angle of application and direction of rotation. The maximum admissible axial loads are 1/5 of the value of the given radial load when they are applied in combination with the radial load. The tables relating to the output shafts give the maximum admissible value.

This value must never be exceeded since it relates to the strength of the case. Particular conditions of radial load higher than the limits of the catalogue may occur. In this case, call our Technical Service and provide details on the application: direction of the load, direction of rotation of the shaft, type.

8.3 输出轴径向负荷

8.3 Output shaft Radial load



NMRV	025	030	040	050	063	075	090	105	110	130	150
a	50	65	84	101	120	131	162	176	176	188	215
b	38	50	64	76	95	101	122	136	136	148	174
F_{r2} max	1350	1830	3490	4840	6270	7380	8180	10320	12000	13500	18000

(*) 上述所有轴上的最大负载值是根据单转向并使用圆锥滚子轴承(非标)的前提下计算的。

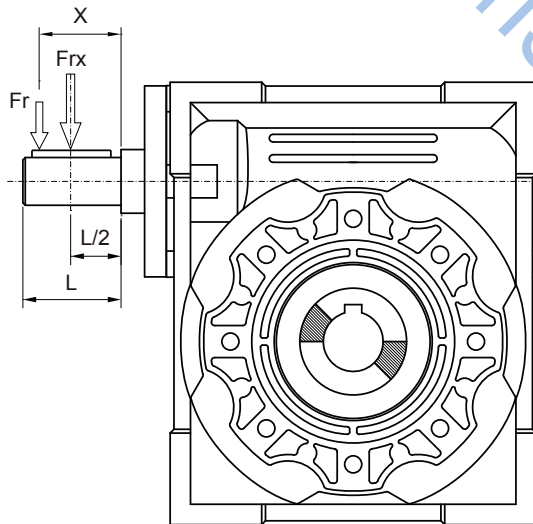
(*) Maximum axial load values admissible in only one direction with the use of a thrust bearing (on request).

具体的径向负载值可参见相关性能表 (F_{r2})

The values of the admissible radial loads are given on the pages relating to performance (F_{r2})

8.4 输入轴径向负荷

8.4 Input shaft radial load



NRV	030	040	050	063	075	090	105/110	130	150
a	86	106	129	159	192	227	266	314	350
b	76	94.5	114	139	167	202	236	274	310
F_{r1} max	210	350	490	700	980	1270	1700	2100	2800

具体的径向负载值可参见相关性能表(F_{r1})

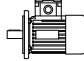

The values of the admissible radial loads are given on the pages relating to performance (F_{r1})

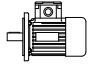

9.0 蜗杆减速器选型表
WORM-GEAR UNIT SELECTION CHARTS

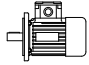

WWW.SC-TRANSMISSION.CC

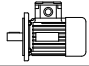

9.1 NMRV, NMRV+NMRV, PC+NMRV 性能参数

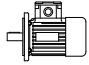

9.1 NMRV, NMRV+NMRV, PC+NMRV Performance

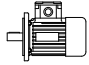

P_1 (kW)	n_2 (min ⁻¹)	M_2 (Nm)	f.s.	i	减速器型号 Type		Fr_2 (N)			
0.06	280.0	1.8	6.2	5	NMRV025	561-4	439	61		
	186.7	2.6	4.2	7.5			503			
	140	3.4	3.5	10			553			
	93.3	4.9	2.5	15			633			
	70	6.1	2	20			697			
	46.7	8.2	1.6	30			798			
	35	10	1.3	40			878			
	28	12	0.9	50			946			
	23.3	14	0.7	60			1006			
	180	2.7	4.8	5			NMRV025		562-6	509
120	4	3.2	7.5	583						
90	5.2	2.7	10	641						
60	7.4	1.9	15	734						
45	9.3	1.4	20	808						
30	12	1.2	30	925						
22.5	15	0.9	40	1018						
18	18	0.7	50	1096						
280	1.8	10.1	5	NMRV030	561-4	597		62		
186.7	2.6	6.9	7.5			683				
140	3.4	5.4	10			752				
93.3	4.7	3.8	15			861				
70	6	3	20			948				
56	7	3	25			1021				
46.7	8	2.5	30			1085				
35	9.7	1.9	40			1194				
28	11	1.5	50			1286				
23.3	13	1.3	60			1367				
17.5	14	0.9	80	1504						
15	18	0.9	60	NMRV030	562-6	1583	62			
14	25	1.3	100			1830				
9.3	32	0.9	150	NMRV025/030	561-4	1830	76			
7	41	0.7	200			1830				
5.6	44	0.8	250			1830				
18	18	2.3	50	NMRV040	562-6	2868	63			
15	21	1.9	60			3047				
11.3	24	1.4	80			3354				
9	27	1.2	100			3490				
4.7	59	1.2	300	NMRV025/040	561-4	3490	76			
3.5	71	0.9	400			3490				
2.8	82	0.7	500			3490				
2.3	101	0.6	600			3490				
1.9	116	0.5	750			3490				
1.6	143	0.5	900			3490				
1.2	171	0.4	1200			3490				
0.9	197	0.3	1500			3490				
0.8	217	0.3	1800			3490				
0.6	268	0.2	2400			3490				
0.5	324	0.2	3000			3490				
0.4	294	0.1	4000			3490				
0.3	356	0.1	5000			3490				
4.7	57	1.3	300			NMRV030/040		561-4	3490	77
3.5	70	0.9	400	3490						
2.8	96	0.6	500	3490						
2.3	104	0.7	600	3490						

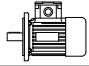

P_1 (kW)	n_2 (min ⁻¹)	M_2 (Nm)	f.s.	i	减速器型号 Type		Fr_2 (N)					
0.06	1.9	121	0.6	750	<i>NMRV030/040</i>	<i>561-4</i>	3490	77				
	1.6	139	0.5	900			3490					
	1.2	166	0.4	1200			3490					
	0.9	196	0.4	1500			3490					
	0.8	218	0.3	1800			3490					
	0.58	261	0.2	2400			3490					
	0.4	300	0.2	3200			3490					
	0.4	279	0.1	4000			3490					
0.28	338	0.1	5000	3490								
	1.6	141	1	900	<i>NMRV030/050</i>	<i>561-4</i>	4840	77				
	1.2	169	0.7	1200			4840					
	0.93	199	0.7	1500			4840					
	0.78	222	0.7	1800			4840					
	0.6	266	0.5	2400			4840					
	0.5	307	0.4	3000			4840					
	0.35	288	0.3	4000			4840					
	0.29	311	0.3	4800			4840					
	0.9	204	1.1	1500	<i>NMRV030/063</i>	<i>561-4</i>	6270	77				
	0.78	225	0.9	1800			6270					
	0.58	276	0.8	2400			6270					
	0.47	319	0.7	3000			6270					
	0.35	306	0.6	4000			6270					
	0.28	360	0.4	5000			6270					
	0.6	330	1.1	2400	<i>NMRV040/075</i>	<i>561-4</i>	7380	78				
	0.47	377	0.8	3000			7380					
	0.35	355	0.7	4000			7380					
	0.28	419	0.5	5000			7380					
	0.5	406	1.4	3000	<i>NMRV040/090</i>	<i>561-4</i>	8180	78				
	0.35	365	1.3	4000			8180					
	0.28	431	1	5000			8180					
0.09	280	2.7	4.1	5	<i>NMRV025</i>	<i>562-4</i>	439	61				
	186.7	3.9	2.8	7.5			503					
	140	5.1	2.4	10			553					
	93.3	7.3	1.6	15			633					
	70	9.2	1.3	20			697					
	46.7	12	1.1	30			798					
	35	15	0.9	40			878					
		280	2.7	6.7			5		<i>NMRV030</i>	<i>562-4</i>	597	62
186.7		3.9	4.6	7.5	683							
140		5	3.6	10	752							
93.3		7.1	2.5	15	861							
70		9	2	20	948							
56		10	2	25	1021							
46.7		12	1.7	30	1085							
35		14	1.2	40	1194							
28		17	1	50	1286							
23.3		19	0.9	60	1367							
		180	4.1	4.9	5	<i>NMRV030</i>	<i>631-6</i>	692			62	
		120	5.9	3.4	7.5			792				
	90	7.6	2.6	10	871							
	60	11	1.9	15	997							
	45	13	1.5	20	1098							
	36	15	1.5	25	1183							
	30	17	1.2	30	1257							
	22.5	21	1	40	1383							
	18	24	0.7	50	1490							

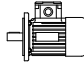

P₁ (kW)	n₂ (min ⁻¹)	M₂ (Nm)	f.s.	i	减速器型号 Type		Fr₂ (N)	
0.09	14	38	0.8	100	<i>NMRV025/030</i>	<i>562-4</i>	1620	76
	9.3	49	0.6	150			1830	
	7	62	0.5	200			1830	
	5.6	66	0.5	250			1830	
	4.7	75	0.4	300			1830	
	3.5	107	0.3	400			1830	
	2.8	115	0.3	500			1830	
	2.3	135	0.2	600			1830	
	1.9	151	0.2	750			1830	
	1.6	178	0.2	900			1830	
	1.2	212	0.1	1200			1830	
	0.9	247	0.1	1500			1830	
	0.78	304	0.1	1800			1830	
	0.58	340	0.1	2400			1830	
	0.47	405	0.1	3000			1830	
28	19	2	50	<i>NMRV040</i>	<i>562-4</i>	2475	63	
23.3	21	1.7	60			2630		
17.5	26	1.3	80			2895		
14	29	1	100			3118		
30	19	2.6	30	<i>NMRV040</i>	<i>631-6</i>	2419	63	
22.5	24	1.9	40			2662		
18	27	1.5	50			2868		
15	31	1.3	60			3047		
11.3	37	1	80			3354		
9	41	0.8	100			3490		
12.3	47	1.3	73.3	<i>PC063+NMRV040</i>	<i>631-6</i>	3283	72	
10.2	51	1.4	68			3488		
7.7	62	1.1	117.3			3490		
6.1	72	0.8	146.7			3490		
5.1	79	0.7	176			3490		
4.7	88	0.8	300	<i>NMRV030/040</i>	<i>562-4</i>	3490	77	
15	32	2.3	60	<i>NMRV050</i>	<i>631-6</i>	4183	64	
11.3	37	1.8	80			4604		
9	42	1.3	100			4840		
6.1	73	1.6	146.7	<i>PC063+NMRV050</i>	<i>631-6</i>	4840	72	
5.1	81	1.3	176			4840		
3.8	94	0.9	234.6			4840		
3	106	0.7	293.3			4840		
3.5	107	1.2	400	<i>NMRV030/050</i>	<i>562-4</i>	4840	77	
2.8	123	1	500			4840		
2.3	159	0.9	600			4840		
1.9	185	0.8	750			4840		
1.6	212	0.7	900			4840		
3.8	99	1.7	234.6	<i>PC063+NMRV063</i>	<i>631-6</i>	6270	72	
3	109	1.4	293.3			6270		
1.6	200	1	900	<i>NMRV030/063</i>	<i>562-4</i>	6270	77	
1.2	263	0.9	1200			6270		
0.93	305	0.7	1500			6270		
0.9	360	1.1	1500	<i>NMRV040/075</i>	<i>562-4</i>	7380	78	
0.78	404	1	1800			7380		
0.58	496	0.7	2400			7380		
0.5	609	0.9	3000	<i>NMRV040/090</i>	<i>562-4</i>	8180	78	
0.35	548	0.8	4000			8180		

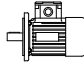

P_1 (kW)	n_2 (min ⁻¹)	M_2 (Nm)	f.s.	i	减速器型号 Type		Fr_2 (N)	
0.12	280	3.6	5.1	5	<i>NMRV030</i>	<i>631-4</i>	597	62
	186.7	5.2	3.4	7.5			683	
	140	6.7	2.7	10			752	
	93.3	9.5	1.9	15			861	
	70	12	1.5	20			948	
	56	14	1.5	25			1021	
	46.7	16	1.3	30			1085	
	35	19	0.9	40			1194	
	28	23	0.8	50			1286	
	180	5.4	3.7	5			<i>NMRV030</i>	
120	7.9	2.5	7.5	792				
90	10	2	10	871				
60	14	1.4	15	997				
45	18	1.1	20	1098				
36	20	1.1	25	1183				
30	23	0.9	30	1257				
46.7	17	2.6	30	<i>NMRV040</i>	<i>631-4</i>	2087	63	
35	21	1.9	40			2298		
28	25	1.5	50			2475		
23.3	28	1.3	60			2630		
17.5	34	1	80			2895		
14	38	0.8	100			3118		
30	25	1.9	30	<i>NMRV040</i>	<i>632-6</i>	2419	63	
22.5	32	1.4	40			2662		
18	36	1.2	50			2868		
15	41	0.9	60			3047		
19.1	42	1.2	73.3	<i>PC063+NMRV040</i>	<i>631-4</i>	2833	72	
15.9	46	1.2	88			3011		
11.9	57	0.9	117.3			3314		
9.5	66	0.7	146.7			3490		
7.9	74	0.6	176			3490		
12.3	62	1	73.3	<i>PC063+NMRV040</i>	<i>632-6</i>	3283	72	
10.2	68	1.1	88			3488		
7.7	83	0.8	117.3			3490		
23.3	29	2.3	60	<i>NMRV050</i>	<i>631-4</i>	3610	64	
17.5	35	1.9	80			3973		
14	40	1.4	100			4280		
22.5	32	2.6	40	<i>NMRV050</i>	<i>632-6</i>	3654	64	
18	38	2	50			3936		
15	42	1.7	60			4183		
11.3	50	1.4	80			4604		
9	56	1	100			4840		
9.5	68	1.3	146.7	<i>PC063+NMRV050</i>	<i>631-4</i>	4840	72	
8	75	1.1	176			4840		
5.8	88	0.8	234.6			4840		
4.8	98	0.7	293.3			4840		
12.3	63	1.7	73.3	<i>PC063+NMRV050</i>	<i>632-6</i>	4506	72	
10.2	70	2.1	88			4788		
7.7	84	1.5	117.3			4840		
6.1	97	1.2	146.7			4840		
5.1	108	1	176			4840		
3.8	125	0.7	234.6			4840		

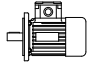

P₁ (kW)	n₂ (min ⁻¹)	M₂ (Nm)	f.s.	i	减速器型号 Type		Fr₂ (N)					
0.12	4.7	119	1.2	300	<i>NMRV030/050</i>	<i>631-4</i>	4840	77				
	3.5	142	0.9	400								
	2.8	164	0.7	500								
	6	92	1.5	234.6	<i>PC063+NMRV063</i>	<i>631-4</i>	6270	72				
	4.8	103	1.2	293.3								
	6.1	101	2.1	146.7	<i>PC063+NMRV063</i>	<i>632-6</i>	6270	72				
	5.1	112	1.8	176								
	3.8	131	1.3	234.6								
	3.1	145	1	293.3								
	2.8	171	1.3	500	<i>NMRV030/063</i>	<i>631-4</i>	6270	77				
	2.3	208	1.1	600								
	1.9	241	0.9	750								
	1.6	325	1.2	900	<i>NMRV040/075</i>	<i>631-4</i>	7380	78				
	1.2	399	0.9	1200								
	0.8	547	0.9	1800	<i>NMRV040/090</i>	<i>631-4</i>	8180	78				
	0.58	695	0.9	2400								
	0.5	884	1.1	3000	<i>NMRV050/105</i>	<i>631-4</i>	10320	78				
	0.35	784	1.0	4000								
0.28	928	0.76	5000									
0.5	884	1.2	3000	<i>NMRV050/110</i>	<i>631-4</i>	10320	79					
0.35	784	1	4000									
0.28	928	0.8	5000									
0.18	280	5.3	3.4	5	<i>NMRV030</i>	<i>632-4</i>	597	62				
	186.7	7.8	2.3	7.5								
	140	10	1.8	10								
	93.3	14	1.3	15								
	70	18	1	20								
	56	21	1	25								
	46.7	24	0.8	30								
	70	19	2	20					<i>NMRV040</i>	<i>632-4</i>	1824	63
	56	23	1.7	25								
	46.7	26	1.7	30								
	35	32	1.3	40								
	28	38	1	50								
	23.3	43	0.8	60								
	45	29	1.5	20	<i>NMRV040</i>	<i>711-6</i>	2113	63				
	36	34	1.3	25								
	30	38	1.3	30								
	22.5	47	1	40								
	19.1	64	0.8	73.3	<i>PC063+NMRV040</i>	<i>632-4</i>	2833	72				
	15.9	70	0.8	88								
	11.9	85	0.6	117.3								
	35	33	2.3	40	<i>NMRV050</i>	<i>632-4</i>	3153	64				
	28	39	1.9	50								
	23.3	43	1.6	60								
	17.5	52	1.2	80								
	14	60	0.9	100								
	18	56	1.4	50					<i>NMRV050</i>	<i>711-6</i>	3936	64
	15	63	1.1	60								
	11.3	75	0.9	80								

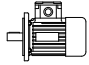

P₁ (kW)	n₂ (min ⁻¹)	M₂ (Nm)	f.s.	i	减速器型号 Type		Fr₂ (N)				
0.18	19.1	64	1.4	73.3	<i>PC063+NMRV050</i>	<i>632-4</i>	3889	72			
	15.9	71	1.5	88			4132				
	11.9	87	1.1	117.3			4548				
	9.5	101	0.9	146.7			4840				
	7.9	113	0.7	176			4840				
	5.8	133	0.6	234.6	4840						
	12.2	95	1.2	73.5	<i>PC071+NMRV050</i>	<i>711-6</i>	4506	73			
	10.2	105	1.4	88.2			4788				
	7.7	126	1	117.6			4840				
	15	66	2.1	60	<i>NMRV063</i>	<i>711-6</i>	5467	65			
11.3	79	1.6	80	6018							
9	90	1.4	100	6270							
9.5	103	1.7	146.7	<i>PC063+NMRV063</i>	<i>632-4</i>	6270	72				
8	117	1.4	176			6270					
5.8	139	1	234.6			6270					
4.8	155	0.8	293.3			6270					
12.4	97	2.2	73.5	<i>PC071+NMRV063</i>	<i>711-6</i>	5889	73				
10.2	107	2.4	88.2			6259					
7.7	131	1.8	117.6			6270					
6.1	152	1.4	147			6270					
5.1	168	1.2	176.4			6270					
3.8	197	0.9	235.2			6270					
3.1	218	0.7	294			6270					
3.5	222	1	400	<i>NMRV030/063</i>	<i>632-4</i>	6270	77				
2.8	257	0.8	500			6270					
5.1	179	1.7	176.4	<i>PC071+NMRV075</i>	<i>711-6</i>	7380	73				
3.8	211	1.2	235.2			7380					
3.1	235	1	294			7380					
2.3	362	1.1	600	<i>NMRV040/075</i>	<i>632-4</i>	7380	78				
1.9	435	0.9	750			7380					
1.6	487	0.8	900			7380					
1.2	629	1	1200	<i>NMRV040/090</i>	<i>632-4</i>	8180	78				
0.93	735	0.8	1500			8180					
0.8	861	1.3	1800	<i>NMRV050/105</i>	<i>632-4</i>	10320	78				
0.58	1113	0.9	2400			10320					
0.8	861	1.5	1800	<i>NMRV050/110</i>	<i>632-4</i>	10320	79				
0.58	1113	1.1	2400			10320					
0.25	280	8	4.5	5	<i>NMRV040</i>	<i>711-4</i>	1149	63			
	186.7	11	3.6	7.5			1315				
	140	14	2.8	10			1447				
	93.3	21	1.9	15			1657				
	70	27	1.5	20			1824				
	56	32	1.2	25			1964				
	46.7	36	1.3	30			2087				
	35	44	0.9	40			2298				
	180	12	3.5	5			<i>NMRV040</i>		<i>712-6</i>	1331	63
	120	17	2.6	7.5						1524	
	90	22	2	10	1677						
	60	31	1.4	15	1920						
	45	40	1.1	20	2113						
	36	48	0.9	25	2276						
	30	53	0.9	30	2419						

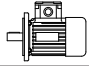

P₁ (kW)	n₂ (min ⁻¹)	M₂ (Nm)	f.s.	i	减速器型号 Type		Fr₂ (N)	
0.25	70	27	2.7	20	<i>NMRV050</i>	<i>711-4</i>	2503	64
	56	32	2.2	25			2696	
	46.7	37	2.3	30			2865	
	35	46	1.7	40			3153	
	28	54	1.4	50			3397	
	23.3	60	1.1	60			3610	
	17.5	72	0.9	80			3973	
	45	40	1.9	20	<i>NMRV050</i>	<i>712-6</i>	2900	64
	36	48	1.5	25			3124	
	30	54	1.7	30			3320	
	22.5	67	1.2	40			3654	
	18	78	1	50			3936	
	15	88	0.8	60			4183	
	19	88	1	73.5			<i>PC071+NMRV050</i>	
	15.9	98	1.1	88.2	4132			
	11.9	121	0.8	117.6	4548			
	28	56	2.4	50	<i>NMRV063</i>	<i>711-4</i>	4440	65
	23.3	63	2	60			4719	
	17.5	78	1.6	80			5193	
	14	87	1.4	100			5595	
	18	81	1.8	50			<i>NMRV063</i>	
	15	92	1.5	60	5467			
	11.3	110	1.2	80	6018			
	9	125	1	100	6270			
	19	91	1.8	73.5	<i>PC071+NMRV063</i>	<i>711-4</i>		5083
	15.9	100	2	88.2			5401	
	11.9	125	1.5	117.6			5945	
	9.5	143	1.2	147			6270	
	7.9	163	1	176.4			6270	
	6	192	0.7	235.2			6270	
	4.8	215	0.6	294			6270	
	12.4	135	1.6	73.5			<i>PC071+NMRV063</i>	<i>712-6</i>
	10.2	148	1.8	88.2	6259			
	7.7	181	1.3	117.6	6270			
	6.1	211	1	147	6270			
	17.5	82	2.3	80	<i>NMRV075</i>	<i>711-4</i>	6130	66
	14	94	1.9	100			6603	
	11.3	117	1.7	80	<i>NMRV075</i>	<i>712-6</i>	7103	66
	9	133	1.4	100			7380	
	9.5	151	1.7	147	<i>PC071+NMRV075</i>	<i>711-4</i>	7380	73
	7.9	172	1.4	176.4			7380	
	6	201	1.1	235.2			7380	
	4.8	230	0.9	294			7380	
	12.4	139	2.4	73.5			<i>PC071+NMRV075</i>	
	10.2	155	2.5	88.2	7380			
	7.7	191	1.9	117.6	7380			
	6.1	219	1.5	147	7380			
	5.1	248	1.2	176.4	7380			
	3.5	336	1.1	400	<i>NMRV040/075</i>	<i>711-4</i>		7380
	2.8	384	0.8	500			7380	

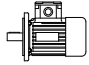

P_1 (kW)	n_2 (min ⁻¹)	M_2 (Nm)	f.s.	i	减速器型号 Type		Fr_2 (N)	
0.25	5.1	263	1.9	176.4	<i>PC071+NMRV090</i>	<i>712-6</i>	8180	74
	3.8	318	1.4	235.2				
	3.1	358	1.1	294				
	2.3	512	1.2	600	<i>NMRV040/090</i>	<i>711-4</i>	8180	78
	1.9	598	0.9	750				
	1.6	667	0.8	900				
	1.2	943	1.1	1200	<i>NMRV050/105</i>	<i>711-4</i>	10320	78
	0.93	1064	1	1500				
	0.78	1195	0.9	1800				
	1.2	943	1.3	1200	<i>NMRV050/110</i>	<i>711-4</i>	10320	79
	0.93	1064	1.2	1500				
	0.78	1195	1.1	1800				
	0.6	1624	1	2400	<i>NMRV063/130</i>	<i>711-4</i>	13500	79
	0.47	1935	0.8	3000				
	0.35	2046	0.6	4000				
0.28	2430	0.5	5000					
0.8	1199	1.8	1800	<i>NMRV063/150</i>	<i>711-4</i>	18000	79	
0.6	1446	1.8	2400					
0.5	1713	1.4	3000					
0.4	2026	0.9	4000					
0.3	2251	0.7	5000					
0.37	280	11	3	5	<i>NMRV040</i>	<i>712-4</i>	1149	63
	186.7	16	2.4	7.5				
	140	21	1.9	10				
	93.3	31	1.3	15				
	70	39	1	20				
	56	47	0.8	25				
	46.7	53	0.8	30				
	140	22	3.3	10	<i>NMRV050</i>	<i>712-4</i>	1987	64
	93.3	31	2.4	15				
	70	40	1.8	20				
	56	48	1.5	25				
	46.7	55	1.5	30				
	35	68	1.1	40				
	28	80	0.9	50				
	23.3	89	0.8	60				
	180	17	4.3	5	<i>NMRV050</i>	<i>801-6</i>	1827	64
	120	25	3.3	7.5				
	90	33	2.5	10				
	60	47	1.8	15				
	45	60	1.3	20				
	36	72	1	25				
	30	80	1.1	30				
	35	71	2.1	40	<i>NMRV063</i>	<i>712-4</i>	4122	65
	28	83	1.6	50				
	23.3	94	1.4	60				
	17.5	115	1.1	80				
	14	129	0.9	100				

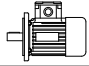

P₁ (kW)	n₂ (min ⁻¹)	M₂ (Nm)	f.s.	i	减速器型号 Type		Fr₂ (N)	
0.37	45	60	2.4	20	<i>NMRV063</i>	<i>801-6</i>	3791	65
	36	74	1.9	25			4084	
	30	82	2.1	30			4339	
	22.5	102	1.6	40			4776	
	18	120	1.2	50			5145	
15	137	1	60	5467				
	19	134	1.2	73.5	<i>PC071+NMRV063</i>	<i>712-4</i>	5083	73
	15.9	148	1.4	88.2			5401	
	11.9	185	1	117.6			5945	
	9.5	212	0.8	147			6270	
	23.3	98	2	60	<i>NMRV075</i>	<i>712-4</i>	5569	66
	17.5	121	1.6	80			6130	
	14	139	1.3	100			6603	
	18	126	1.8	50	<i>NMRV075</i>	<i>801-6</i>	6073	66
	15	144	1.5	60			6453	
	11.3	173	1.2	80			7103	
	9	196	1	100			7380	
	19	138	1.8	73.5	<i>PC071+NMRV075</i>	<i>712-4</i>	6000	73
	15.9	154	1.9	88.2			6375	
	11.9	191	1.5	117.6			7017	
	9.5	223	1.1	147			7380	
	7.9	254	0.9	176.4			7380	
	12	206	1.6	75	<i>PC080+NMRV075</i>	<i>801-6</i>	6952	74
	10	230	1.7	90			7380	
	7.5	283	1.3	120			7380	
	6	324	1	150			7380	
	4.7	405	1	300	<i>NMRV040/075</i>	<i>712-4</i>	7380	78
	3.5	498	0.7	400			7380	
	11.3	185	1.7	80	<i>NMRV090</i>	<i>801-6</i>	7859	67
	9	212	1.3	100			8180	
	7.9	268	1.5	176.4	<i>PC071+NMRV090</i>	<i>712-4</i>	8180	74
	6	321	1.1	235.2			8180	
	4.8	371	0.9	294			8180	
	6	347	1.6	150	<i>PC080+NMRV090</i>	<i>801-6</i>	8180	74
	5	389	1.3	180			8180	
	3.8	471	1	240			8180	
	4.7	402	1.5	300	<i>NMRV040/090</i>	<i>712-4</i>	8180	78
	3.5	523	1.2	400			8180	
	2.8	611	0.9	500			8180	
	2.3	757	0.8	600			8180	
	3.8	509	1.5	240	<i>PC080+NMRV105</i>	<i>801-6</i>	10320	75
	3	577	1.2	300			10320	
	1.9	950	1.2	750	<i>NMRV050/105</i>	<i>712-4</i>	10320	78
	1.6	1079	1	900			10320	
	1.2	1396	0.7	1200			10320	
	3.8	509	1.6	240	<i>PC080+NMRV110</i>	<i>801-6</i>	10320	75
	3	577	1.3	300			10320	
	1.9	950	1.3	750	<i>NMRV050/110</i>	<i>712-4</i>	10320	79
	1.6	1079	1.2	900			10320	
	1.2	1396	0.8	1200			10320	

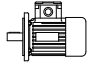

P₁ (kW)	n₂ (min ⁻¹)	M₂ (Nm)	f.s.	i	减速器型号 Type		Fr₂ (N)	
0.37	0.9	1674	1.1	1500	<i>NMRV063/130</i>	<i>712-4</i>	13500	79
	0.78	1887	0.9	1800				
	0.8	1775	1.2	1800	<i>NMRV063/150</i>	<i>712-4</i>	18000	79
	0.6	2141	1.2	2400				
	0.5	2535	0.9	3000				
0.55	280	17	3.7	5	<i>NMRV050</i>	<i>801-4</i>	1577	64
	186.7	25	2.9	7.5				
	140	32	2.2	10				
	93.3	46	1.6	15				
	70	59	1.2	20				
	56	71	1	25				
	46.7	81	1	30				
	120	38	2.2	7.5	<i>NMRV050</i>	<i>802-6</i>	2091	64
	90	49	1.7	10				
	60	69	1.2	15				
	45	89	0.9	20				
	70	61	2.2	20	<i>NMRV063</i>	<i>801-4</i>	3272	65
	56	73	1.8	25				
	46.7	83	1.3	30				
	35	105	1.4	40				
	28	124	1.1	50				
	23.3	140	0.9	60				
	60	71	2.2	15				
	45	90	1.6	20				
	36	109	1.3	25				
	30	123	1.4	30				
	22.5	152	1.1	40				
	35	108	2	40	<i>NMRV075</i>	<i>801-4</i>	4865	66
	28	129	1.6	50				
	23.3	146	1.4	60				
	17.5	180	1.1	80				
	14	206	0.9	100				
	30	128	2	30	<i>NMRV075</i>	<i>802-6</i>	5122	66
	22.5	159	1.5	40				
	18	187	1.2	50				
	15	214	1	60				
	18.7	205	1.2	75	<i>PC080+NMRV075</i>	<i>801-4</i>	6000	74
15.6	230	1.3	90					
11.7	284	1	120					
9.3	332	0.8	150					
12	306	1.1	75	<i>PC080+NMRV075</i>	<i>802-6</i>	6952	74	
10	341	1.1	90					
17.5	189	1.5	80	<i>NMRV090</i>	<i>801-4</i>	6783	67	
14	221	1.2	100					
18	198	2	50	<i>NMRV090</i>	<i>802-6</i>	6719	67	
15	224	1.6	60					
11.3	275	1.1	80					
9	315	0.9	100					
15.6	240	2.3	90	<i>PC080+NMRV090</i>	<i>801-4</i>	7054	74	
11.7	297	1.6	120					
9.3	355	1.3	150					
7.8	398	1	180					

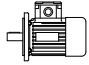

P_1 (kW)	n_2 (min ⁻¹)	M_2 (Nm)	f.s.	i	减速器型号 Type		Fr_2 (N)	
0.55	10	357	2	90	PC080+NMRV090	802-6	8174	74
	7.5	441	1.4	120			8180	
	6	516	1.1	150			8180	
	5	578	0.9	180			8180	
	17.5	201	2.4	80	NMRV105	801-4	8571	68
	14	236	1.9	100			9232	
	11.3	294	1.8	80	NMRV105	802-6	9931	68
	9	338	1.4	100			10320	
	7.8	425	1.7	180	PC080+NMRV105	801-4	10320	75
	5.8	513	1.2	240			10320	
	4.7	597	1	300			10320	
	7.5	462	2.2	120	PC080+NMRV105	802-6	10320	75
6	552	1.8	150			10320		
5	620	1.5	180			10320		
3.8	756	1	240			10320		
4.7	639	1.7	300	NMRV050/105	801-4	10320	78	
3.5	826	1.2	400			10320		
2.8	984	1	500			10320		
2.3	1181	0.9	600			10320		
1.9	1411	0.8	750			10320		
17.5	201	2.6	80	NMRV110	801-4	8571	69	
14	236	2	100			9232		
11.3	294	1.9	80	NMRV110	802-6	9931	69	
9	338	1.5	100			10320		
7.8	425	1.8	180	PC080+NMRV110	801-4	10320	75	
5.8	513	1.3	240			10320		
4.7	597	1	300			10320		
7.5	462	2.6	120	PC080+NMRV110	802-6	10320	75	
6	552	2	150			10320		
5	620	1.6	180			10320		
3.8	756	1.1	240			10320		
4.7	639	2	300	NMRV050/110	801-4	10320	79	
3.5	826	1.4	400			10320		
2.8	984	1.1	500			10320		
2.3	1181	1	600			10320		
1.9	1411	0.9	750			10320		
3.8	756	1.6	240	PC080+NMRV130	802-6	13500	75	
3	858	1.3	300			13500		
2.8	996	1.6	500	NMRV063/130	801-4	13500	79	
1.9	1471	1.2	750			13500		
1.2	2132	0.8	1200			13500		
0.8	2638	0.8	1800	NMRV063/150	801-4	18000	79	
0.6	3182	0.8	2400			18000		
0.75	280	23	2.7	5	NMRV050	802-4	1577	64
	186.7	34	2.1	7.5			1805	
	140	44	1.6	10			1987	
	93.3	63	1.2	15			2274	
	70	81	0.9	20			2503	

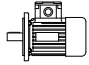

P₁ (kW)	n₂ (min ⁻¹)	M₂ (Nm)	f.s.	i	减速器型号 Type		Fr₂ (N)	
0.75	93.3	64	2.2	15	<i>NMRV063</i>	<i>802-4</i>	2973	65
	70	83	1.6	20			3272	
	56	100	1.3	25			3524	
	46.7	114	1.4	30			3745	
	35	143	1	40			4122	
	120	52	2.9	7.5	<i>NMRV063</i>	<i>90S-6</i>	2734	65
	90	68	2.3	10			3009	
	60	97	1.6	15			3444	
	45	123	1.2	20			3791	
	36	149	0.9	25			4084	
	30	167	1	30	4339			
	56	102	2	25	<i>NMRV075</i>	<i>802-4</i>	4160	66
	46.7	117	2	30			4421	
	35	147	1.5	40			4865	
	28	177	1.2	50			5241	
	23.3	200	1	60			5569	
	60	98	2.4	15	<i>NMRV075</i>	<i>90S-6</i>	4065	66
	45	126	1.9	20			4474	
	36	153	1.4	25			4820	
	30	174	1.5	30			5122	
	22.5	216	1.1	40			5637	
	18.7	280	0.9	75	<i>PC080+NMRV075</i>	<i>802-4</i>	6000	74
	15.6	313	1	90			6375	
	28	184	1.8	50	<i>NMRV090</i>	<i>802-4</i>	5799	67
	23.3	212	1.5	60			6163	
	17.5	258	1.1	80			6783	
	14	302	0.9	100			7306	
	30	179	2.6	30	<i>NMRV090</i>	<i>90S-6</i>	5667	67
	22.5	226	1.8	40			6238	
	18	271	1.4	50			6719	
	15	306	1.1	60			7140	
	15.6	327	1.7	90	<i>PC080+NMRV090</i>	<i>802-4</i>	7054	74
	11.7	405	1.2	120			7764	
	9.3	483	0.9	150			8180	
	7.8	543	0.7	180			8180	
	17.5	274	1.8	80	<i>NMRV105</i>	<i>802-4</i>	8571	68
	14	322	1.4	100			9232	
	15	325	1.9	60	<i>NMRV105</i>	<i>90S-6</i>	9023	68
	11.3	401	1.3	80			9331	
	9	462	1.1	100			10320	
	11.7	430	1.9	120	<i>PC080+NMRV105</i>	<i>802-4</i>	9811	75
	9.3	506	1.6	150			10320	
	7.8	580	1.2	180			10320	
	5.8	700	0.9	240			10320	
	12.2	393	2.8	73.5	<i>PC090+NMRV105</i>	<i>90S-6</i>	9614	75
	9.2	508	2	98			10320	
	7.3	607	1.6	122.5			10320	
	6.1	682	1.3	147			10320	
	4.6	832	0.9	196			10320	
	4.7	871	1.3	300	<i>NMRV050/105</i>	<i>802-4</i>	10320	78
	3.5	1126	0.9	400			10320	

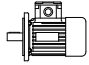

P₁ (kW)	n₂ (min ⁻¹)	M₂ (Nm)	f.s.	i	减速器型号 Type		Fr₂ (N)	
0.75	17.5	274	1.9	80	<i>NMRV110</i>	<i>802-4</i>	8571	69
	14	322	1.5	100			9232	
	15	325	2.1	60	<i>NMRV110</i>	<i>90S-6</i>	9023	69
	11.3	401	1.4	80			9931	
	9	462	1.1	100			10320	
	11.7	430	2.2	120	<i>PC080+NMRV110</i>	<i>802-4</i>	9811	75
	9.3	506	1.7	150			10320	
	7.8	580	1.3	180			10320	
	5.8	700	0.9	240			10320	
	12.2	393	3.2	73.5	<i>PC090+NMRV110</i>	<i>90S-6</i>	9614	75
	9.2	508	2.3	98			10320	
	7.3	607	1.8	122.5			10320	
	6.1	682	1.5	147			10320	
	4.6	832	1	196			10320	
	4.7	871	1.5	300	<i>NMRV050/110</i>	<i>802-4</i>	10320	79
	3.5	1126	1.1	400			10320	
11.3	407	2.1	80	<i>NMRV130</i>	<i>90S-6</i>	12989	70	
9	470	1.7	100			13500		
5.8	712	1.4	240	<i>PC080+NMRV130</i>	<i>802-4</i>	13500	75	
4.7	813	1.1	300			13500		
12.2	399	4.4	73.5	<i>PC090+NMRV130</i>	<i>90S-6</i>	12575	75	
9.2	508	3.2	98			13500		
7.3	607	2.6	122.5			13500		
6.1	682	2.1	147			13500		
4.6	832	1.5	196			13500		
3.7	944	1.2	245			13500		
2.8	1358	1.1	500	<i>NMRV063/130</i>	<i>802-4</i>	13500	79	
2.3	1631	1	600			13500		
1.9	2005	0.9	750			13500		
1.6	2283	0.8	900			13500		
2.8	1291	1.8	500	<i>NMRV063/150</i>	<i>802-4</i>	18000	79	
2.3	1529	1.7	600			18000		
1.9	1783	1.3	750			18000		
1.6	2215	0.9	900			18000		
1.2	2680	1	1200			18000		
1.10	120	76	2	7.5	<i>NMRV063</i>	<i>90L-6</i>	2734	65
	90	99	1.5	10			3009	
	60	142	1.1	15			3444	
	45	180	0.8	20			3791	
	186.7	50	2.6	7.5	<i>NMRV063</i>	<i>90S-4</i>	2359	65
	140	65	2	10			2597	
	93.3	93	1.5	15			2973	
	70	122	1.1	20			3272	
	56	146	0.9	25			3524	
	46.7	167	1	30			3745	
	90	100	2.3	10	<i>NMRV075</i>	<i>90L-6</i>	3551	66
	60	144	1.6	15			4065	
	45	184	1.3	20			4474	
	36	225	1	25			4820	
	30	256	1	30			5122	

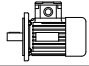

P_1 (kW)	n_2 (min ⁻¹)	M_2 (Nm)	f.s.	i	减速器型号 Type		Fr_2 (N)	
1.10	93.3	96	2.1	15	<i>NMRV075</i>	<i>90S-4</i>	3509	66
	70	123	1.7	20			3862	
	56	150	1.3	25			4160	
	46.7	171	1.3	30			4421	
	35	216	1	40			4865	
	36	231	1.6	25	<i>NMRV090</i>	<i>90L-6</i>	5333	67
	30	263	1.8	30			5667	
	22.5	331	1.2	40			6238	
	18	397	1	50			6719	
	15	448	0.8	60			7140	
	35	225	1.6	40	<i>NMRV090</i>	<i>90S-4</i>	5383	67
	28	270	1.3	50			5799	
	23.3	311	1	60			6163	
	22.5	345	2	40	<i>NMRV105</i>	<i>90L-6</i>	7882	68
	18	414	1.6	50			8491	
	15	476	1.3	60			9023	
	11.3	588	0.9	80			9931	
	28	281	2.1	50	<i>NMRV105</i>	<i>90S-4</i>	7328	68
	23.3	324	1.7	60			7787	
	17.5	402	1.2	80			8571	
14	473	1	100	9232				
12.2	576	1.9	73.5	<i>PC090+NMRV105</i>	<i>90L-6</i>	9614	75	
9.2	746	1.4	98			10320		
7.3	890	1.1	122.5			10320		
6.1	1000	0.9	147			10320		
19	392	2.2	73.5	<i>PC090+NMRV105</i>	<i>90S-4</i>	8298	75	
14.3	508	1.6	98			9133		
11.4	599	1.3	122.5			9838		
9.5	686	1	147			10320		
7.1	828	0.8	196			10320		
22.5	345	2.3	40	<i>NMRV110</i>	<i>90L-6</i>	7882	69	
18	414	1.8	50			8491		
15	476	1.4	60			9023		
11.3	588	1	80			9931		
28	281	2.3	50	<i>NMRV110</i>	<i>90S-4</i>	7328	69	
23.3	324	1.9	60			7787		
17.5	402	1.3	80			8571		
14	473	1	100			9232		
12.2	576	2.2	73.5	<i>PC090+NMRV110</i>	<i>90L-6</i>	9614	75	
9.2	746	1.6	98			10320		
7.3	890	1.2	122.5			10320		
6.1	1000	1	147			10320		
19	392	2.5	73.5	<i>PC090+NMRV110</i>	<i>90S-4</i>	8298	75	
14.3	508	1.8	98			9133		
11.4	599	1.5	122.5			9838		
9.5	686	1.1	147			10320		
7.1	828	0.8	196			10320		
11.3	598	1.4	80	<i>NMRV130</i>	<i>90L-6</i>	12989	70	
9	689	1.1	100			13500		
17.5	408	2.1	80	<i>NMRV130</i>	<i>90S-4</i>	11210	70	
14	480	1.5	100			12076		

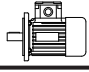

P₁ (kW)	n₂ (min ⁻¹)	M₂ (Nm)	f.s.	i	减速器型号 Type		Fr₂ (N)	
1.10	12.2	585	3	73.5	<i>PC090+NMRV130</i>	<i>90L-6</i>	12575	75
	9.2	746	2.2	98			13500	
	7.3	890	1.7	122.5			13500	
	6.1	1000	1.4	147			13500	
	4.6	1220	1	196			13500	
	19	398	3.5	73.5	<i>PC090+NMRV130</i>	<i>90S-4</i>	10853	75
	14.3	508	2.6	98			11945	
	11.4	608	2	122.5			12868	
	9.5	686	1.6	147			13500	
	7.1	843	1.2	196			13500	
	5.7	962	0.9	245	13500			
	4.7	1312	1.3	300	<i>NMRV063/130</i>	<i>90S-4</i>	13500	79
	3.5	1671	1	400			13500	
	2.8	1991	0.8	500			13500	
	9.3	753	3.1	150	<i>NMRV063/150</i>	<i>90S-4</i>	18000	79
	7	966	2.4	200			18000	
	5.6	1175	1.7	250			18000	
	4.7	1364	1.7	300			18000	
	3.5	1619	1.6	400			18000	
	2.8	1893	1.2	500			18000	
2.3	2242	1.2	600	18000				
1.9	2616	0.9	750	18000				
1.50	186.7	68	1.9	7.5			<i>NMRV063</i>	
	140	89	1.5	10	2597			
	93.3	127	1.1	15	2973			
	70	166	0.8	20	3272			
	120	105	2	7.5	<i>NMRV075</i>	<i>100L-6</i>	3227	66
	90	137	1.7	10			3551	
	60	196	1.2	15			4065	
	140	90	2.2	10	<i>NMRV075</i>	<i>90L-4</i>	3065	66
	93.3	130	1.5	15			3509	
	70	168	1.3	20			3862	
	56	205	1	25			4160	
	46.7	233	1	30			4421	
	90	138	2.7	10	<i>NMRV090</i>	<i>100L-6</i>	3929	67
	60	201	2.1	15			4498	
	45	258	1.5	20			4951	
	36	314	1.2	25			5333	
	30	358	1.3	30			5637	
	70	172	2.1	20	<i>NMRV090</i>	<i>90L-4</i>	4273	67
	56	210	1.6	25			4603	
	46.7	239	1.7	30			4891	
	35	307	1.2	40			5383	
	28	368	0.9	50			5799	
	23.3	424	0.8	60			6163	
	45	264	2.4	20			<i>NMRV105</i>	
	36	322	2	25	6739			
	30	363	2	30	7161			
	22.5	471	1.5	40	7882			
	18	565	1.2	50	8491			
15	649	1	60	9023				
35	319	1.9	40	<i>NMRV105</i>	<i>90L-4</i>	6803	68	
28	384	1.6	50			7328		
23.3	442	1.3	60			7787		
17.5	548	0.9	80			8571		

P_1 (kW)	n_2 (min ⁻¹)	M_2 (Nm)	f.s.	i	减速器型号 Type		Fr_2 (N)	
1.50	19.3	535	1.6	73	PC090+NMRV105	90L-4	8298	
	14.5	693	1.2	96.8			9133	
	11.6	817	1	121			9838	
	9.6	936	0.8	145.2			10320	
	45	264	2.7	20	NMRV110	100L-6	6256	
	36	322	2.4	25			6739	
	30	363	2.3	30			7161	
	22.5	471	1.7	40			7882	
	18	565	1.3	50			8491	
	15	649	1.1	60			9023	
	35	319	2.2	40	NMRV110	90L-4	6803	
	28	384	1.7	50			7328	
	23.3	442	1.4	60			7787	
	17.5	548	0.9	80			8571	
	19	535	1.9	73.5	PC090+NMRV110	90L-4	8298	
	14.3	693	1.3	98			9133	
	11.4	817	1.1	122.5			9838	
	9.5	936	0.8	147			10320	
	22.5	478	2.3	40	NMRV130	100L-6	10309	
	18	573	1.8	50			11105	
15	659	1.4	60			11801		
11.3	815	1.1	80			12989		
17.5	557	1.5	80	NMRV130	90L-4	11210		
14	655	1.1	100			12076		
19	542	2.6	73.5	PC090+NMRV130	90L-4	10853		
14.3	693	1.9	98			11945		
11.4	830	1.5	122.5			12868		
9.5	936	1.1	147			13500		
7.1	1149	0.8	196			13500		
4.7	1789	1	300	NMRV063/130	90L-4	13500		
3.5	2279	0.7	400			13500		
9.3	1026	2.3	150	NMRV063/150	90L-4	18000		
7	1317	1.8	200			18000		
5.6	1602	1.3	250			18000		
4.7	1860	1.3	300			18000		
3.5	2208	1.2	400			18000		
2.8	2582	0.9	500			18000		
2.3	3057	0.9	600			18000		
2.20	186.7	100	1.8	7.5	NMRV075	100L1-4	2785	
	140	132	1.5	10			3065	
	93.3	191	1	15			3509	
	186.7	101	2.9	7.5	NMRV090	100L1-4	3081	
	140	134	2.3	10			3391	
	93.3	194	1.9	15			3882	
	70	252	1.4	20			4273	
	56	308	1.1	25			4603	
	46.7	351	1.2	30			4891	
	120	156	2.2	7.5	NMRV090	112M-6	3570	
	90	203	1.8	10			3929	
	60	294	1.4	15			4498	
	45	378	1	20			4951	

P₁ (kW)	n₂ (min ⁻¹)	M₂ (Nm)	f.s.	i	减速器型号 Type		Fr₂ (N)	
2.20	70	255	2.2	20	NMRV105	100L1-4	5399	68
	56	315	1.9	25			5816	
	46.7	356	1.8	30			6181	
	35	468	1.3	40			6803	
	28	563	1.1	50			7328	
	23.3	648	0.9	60			7787	
	90	205	3	10	NMRV105	112M-6	4965	68
	60	298	2.2	15			5684	
	45	388	1.6	20			6256	
	36	473	1.4	25			6739	
	30	532	1.4	30			7161	
	70	255	2.5	20	NMRV110	100L1-4	5399	69
	56	315	2.2	25			5816	
	46.7	356	2	30			6181	
	35	468	1.5	40			6803	
	28	563	1.2	50			7328	
	23.3	648	1	60			7787	
	90	205	3.5	10	NMRV110	112M-6	4965	69
	60	298	2.6	15			5684	
	45	388	1.9	20			6256	
	36	473	1.6	25			6739	
	30	532	1.6	30			7161	
	35	468	2.2	40	NMRV130	100L1-4	8897	70
	28	563	1.7	50			9584	
	23.3	648	1.4	60			10185	
	17.5	816	1	80			11210	
	36	479	2.2	25	NMRV130	112M-6	8814	70
	30	546	2.1	30			9366	
	22.5	700	1.6	40			10309	
	18	840	1.2	50			11105	
	15	966	1	60			11801	
	28	570	2.5	50	NMRV150	100L1-4	13103	71
	23.3	657	1.9	60			13924	
	17.5	816	1.4	80			15325	
	14	960	1	100			16508	
3.00	186.7	137	1.4	7.5	NMRV075	100L2-4	2785	66
	140	180	1.1	10			3065	
	93.3	261	0.8	15			3509	
	186.7	138	2.1	7.5	NMRV090	100L2-4	3081	67
	140	182	1.7	10			3391	
	93.3	264	1.4	15			3882	
	70	344	1	20			4273	
	56	420	0.8	25			4603	
	46.7	479	0.9	30			4891	
	93.3	264	2.2	15	NMRV105	100L2-4	4905	68
	70	348	1.6	20			5399	
	56	430	1.4	25			5816	
	46.7	485	1.3	30			6181	
	35	638	1	40			6803	
	28	767	0.8	50			7328	
	120	212	2.7	7.5	NMRV105	132S-6	4511	68
	90	280	2.2	10			4965	
	60	406	1.6	15			5684	
	45	528	1.2	20			6256	


P_1 (kW)	n_2 (min ⁻¹)	M_2 (Nm)	f.s.	i	减速器型号 Type		Fr_2 (N)	
3.00	93.3	264	2.5	15	<i>NMRV110</i>	<i>100L2-4</i>	4905	69
	70	348	1.9	20			5399	
	56	430	1.6	25			5816	
	46.7	485	1.5	30			6181	
	35	638	1.1	40			6803	
	28	767	0.9	50	7328			
	120	212	3.1	7.5	<i>NMRV110</i>	<i>132S-6</i>	4511	69
	90	280	2.5	10			4965	
	60	406	1.9	15			5684	
	45	528	1.4	20			6256	
	56	430	2.2	25	<i>NMRV130</i>	<i>100L2-4</i>	7607	70
	46.7	491	2.1	30			8084	
	35	638	1.6	40			8897	
	28	767	1.3	50			9584	
	23.3	884	1	60			10185	
17.5	1113	0.8	80	11210				
90	280	3.4	10	<i>NMRV130</i>	<i>132S-6</i>	6494	70	
60	406	2.6	15			7434		
45	535	1.9	20			8182		
36	653	1.6	25			8814		
30	745	1.6	30			9366		
22.5	955	1.2	40			10309		
28	778	1.8	50	<i>NMRV150</i>	<i>100L2-4</i>	13103	71	
23.3	896	1.4	60			13924		
17.5	1113	1	80			15325		
14	1310	0.8	100			16508		
4.00	186.7	182	1	7.5	<i>NMRV075</i>	<i>112M-4</i>	2785	66
	140	240	0.8	10			3065	
	186.7	184	1.6	7.5	<i>NMRV090</i>	<i>112M-4</i>	3081	67
	140	243	1.3	10			3391	
	93.3	352	1	15			3882	
	70	458	0.8	20			4273	
	140	243	2.1	10	<i>NMRV105</i>	<i>112M-4</i>	4285	68
	93.3	352	1.6	15			4905	
	70	464	1.2	20			5399	
	56	573	1	25			5816	
	46.7	647	1	30			6181	
	120	283	2	7.5	<i>NMRV105</i>	<i>132M1-6</i>	4511	68
	90	374	1.7	10			4965	
	60	541	1.2	15			5684	
	140	243	2.5	10	<i>NMRV110</i>	<i>112M-4</i>	4285	69
	93.3	352	1.9	15			4905	
	70	464	1.4	20			5399	
	56	573	1.2	25			5816	
	46.7	647	1.1	30			6181	
	120	283	2.3	7.5	<i>NMRV110</i>	<i>132M1-6</i>	4511	69
	90	374	1.9	10			4965	
60	541	1.4	15	5684				

P_1 (kW)	n_2 (min ⁻¹)	M_2 (Nm)	f.s.	i	减速器型号 Type		Fr_2 (N)					
4.00	56	573	1.6	25	NMRV130	112M-4	7607	70				
	46.7	655	1.6	30								
	35	851	1.2	40								
	28	1023	1	50								
	23.3	1179	0.8	60								
	120	287	3.1	7.5	NMRV130	132M1-6	5901	70				
	90	374	2.6	10								
	60	541	2	15								
	45	713	1.5	20								
	36	870	1.2	25								
	28	1037	1.4	50	NMRV150	112M-4	13103	71				
	23.3	1195	1.1	60								
	17.5	1484	0.8	80								
	5.50	186.7	253	1.9	7.5	NMRV105	132S-4	3893	68			
		140	334	1.6	10							
93.3		484	1.2	15								
70		638	0.9	20								
186.7		253	2.2	7.5	NMRV110	132S-4	3893	69				
140		334	1.8	10								
93.3		484	1.4	15								
70		638	1	20								
140		334	2.5	10	NMRV130	132S-4	5605	70				
93.3		490	1.9	15								
70		645	1.4	20								
56		788	1.2	25								
46.7		900	1.2	30								
35		1171	0.9	40								
70		645	2	20	NMRV150	132S-4	9654	71				
56		788	1.5	25								
46.7		934	1.3	30								
35		1171	1.3	40								
28		1426	1	50								
23.3		1643	0.8	60								
7.50		186.7	345	1.4			7.5		NMRV105	132M-4	3893	68
		140	455	1.1			10					
		93.3	660	0.9	15							
		186.7	345	1.6	7.5	NMRV110	132M-4	3893	69			
	140	455	1.3	10								
	93.3	660	1	15								
	186.7	349	2.1	7.5	NMRV130	132M-4	5092	70				
	140	455	1.8	10								
	93.3	668	1.4	15								
	70	880	1	20								
	56	1074	0.9	25								
	46.7	1228	0.8	30								
	35	1596	0.7	40								
	70	880	1.5	20			NMRV150		132M-4	9654	71	
	56	1074	1.1	25								
	46.7	1274	0.9	30								
	35	1596	1	40								


P₁ (kW)	n₂ (min ⁻¹)	M₂ (Nm)	f.s.	i	减速器型号 Type		Fr₂ (N)	
11.00	186.7	512	2.3	7.5	<i>NMRV150</i>	<i>160M-4</i>	6962	71
	140	675	1.8	10			7663	
	93.3	990	1.3	15			8771	
	70	1291	1	20			9654	
	56	1576	0.8	25			10400	
15.00	186.7	698	1.7	7.5	<i>NMRV150</i>	<i>160L-4</i>	6962	71
	140	921	1.3	10			7663	
	93.3	1351	0.9	15			8771	
	70	1760	0.7	20			9654	

WWW.SC-TRANSMISSION.CC


$n_1=1400$

M_2 (Nm)	i	P_1 (kW)	n_2 (min ⁻¹)	减速器型号 Type	Fr_2 (N)	Fr_1 (N)			
18	5	0.61	280.0	NRV030	597	150	81		
18	7.5	0.41	186.7						
18	10	0.32	140.0						
18	15	0.23	93.3						
18	20	0.18	70.0						
21	25	0.18	56.0						
20	30	0.15	46.7						
18	40	0.11	35.0						
17	50	0.09	28.0						
16	60	0.08	23.3						
13	80	0.05	17.5						
34	5	1.1	280.0	NRV040	1149	250	81		
40	7.5	0.90	186.7						
40	10	0.69	140.0						
40	15	0.48	93.3						
39	20	0.37	70.0						
38	25	0.30	56.0						
45	30	0.31	46.7						
41	40	0.23	35.0						
39	50	0.18	28.0						
36	60	0.15	23.3						
33	80	0.12	17.5						
29	100	0.09	14.0						
62	5	2.0	280.0		NRV050	1577		350	81
71	7.5	1.6	186.7						
72	10	1.2	140.0						
74	15	0.88	93.3						
73	20	0.68	70.0						
70	25	0.54	56.0						
84	30	0.57	46.7						
76	40	0.42	35.0						
73	50	0.34	28.0						
68	60	0.28	23.3						
65	80	0.22	17.5						
55	100	0.16	14.0						
128	7.5	2.8	186.7	NRV063		2359	500	81	
130	10	2.2	140.0						
140	15	1.6	93.3						
135	20	1.2	70.0						
130	25	1.0	56.0						
160	30	1.1	46.7						
145	40	0.76	35.0						
135	50	0.60	28.0						
130	60	0.51	23.3						
122	80	0.39	17.5						
118	100	0.34	14.0						
185	7.5	4.1	186.7	NRV075	2785	700	81		
195	10	3.2	140.0						
200	15	2.3	93.3						
210	20	1.9	70.0						
200	25	1.5	56.0						
230	30	1.5	46.7						
220	40	1.1	35.0						
210	50	0.89	28.0						
200	60	0.75	23.3						
190	80	0.58	17.5						
180	100	0.48	14.0						


$n_1=1400$

M₂ (Nm)	i	P₁ (kW)	n₂ (min ⁻¹)	减速器型号 Type	Fr₂ (N)	Fr₁ (N)	
290	7.5	6.3	186.7	NRV090	3081	900	81
310	10	5.1	140.0		3391	1082	
360	15	4.1	93.3		3882	1257	
355	20	3.1	70.0		4273	1270	
340	25	2.4	56.0		4603	1270	
410	30	2.6	46.7		4891	1270	
360	40	1.8	35.0		5383	1270	
340	50	1.4	28.0		5799	1270	
320	60	1.1	23.3		6163	1270	
285	80	0.83	17.5		6783	1270	
270	100	0.67	14.0		7306	1270	
480	7.5	10.4	186.7	NRV105	3893	1200	81
520	10	8.6	140.0		4285	1463	
570	15	6.5	93.3		4905	1603	
560	20	4.8	70.0		5399	1700	
590	25	4.1	56.0		5816	1700	
630	30	3.9	46.7		6181	1700	
610	40	2.9	35.0		6803	1700	
600	50	2.3	28.0		7328	1700	
560	60	1.9	23.3		7787	1700	
490	80	1.3	17.5		8571	1700	
460	100	1.1	14.0		9232	1700	
552	7.5	12.0	186.7	NRV110	3893	1200	81
598	10	9.8	140.0		4285	1463	
656	15	7.5	93.3		4905	1604	
644	20	5.6	70.0		5399	1700	
679	25	4.7	56.0		5816	1700	
725	30	4.5	46.7		6181	1700	
702	40	3.3	35.0		6803	1700	
660	50	2.6	28.0		7328	1700	
616	60	2.1	23.3		7787	1700	
515	80	1.4	17.5		8571	1700	
483	100	1.1	14.0		9232	1700	
750	7.5	16.1	186.7	NRV130	5092	1500	81
820	10	13.5	140.0		5605	1845	
920	15	10.3	93.3		6416	2070	
910	20	7.8	70.0		7062	2100	
930	25	6.5	56.0		7607	2100	
1040	30	6.4	46.7		8084	2100	
1050	40	4.9	35.0		8897	2100	
980	50	3.8	28.0		9584	2100	
900	60	3.1	23.3		10185	2100	
840	80	2.3	17.5		11210	2100	
740	100	1.7	14.0		12076	2100	
1200	7.5	25.8	186.7	NRV150	6962	1950	81
1240	10	20.2	140.0		7663	2267	
1250	15	13.9	93.3		8771	2285	
1300	20	11.1	70.0		9654	2674	
1200	25	8.4	56.0		10400	2800	
1200	30	7.1	46.7		11051	2800	
1550	40	7.3	35.0		12163	2800	
1400	50	5.4	28.0		13103	2800	
1260	60	4.2	23.3		13924	2800	
1150	80	3.1	17.5		15325	2800	
1000	100	2.3	14.0		16508	2800	


n₁=900

M₂ (Nm)	i	P₁ (kW)	n₂ (min ⁻¹)	减速器型号 Type	Fr₂ (N)	Fr₁ (N)	
20	5	0.44	180.0	NRV030	692	175	81
20	7.5	0.30	120.0		792	175	
20	10	0.24	90.0		871	197	
20	15	0.17	60.0		997	197	
20	20	0.13	45.0		1098	210	
23	25	0.14	36.0		1183	210	
21	30	0.11	30.0		1257	210	
20	40	0.09	22.5		1383	210	
18	50	0.07	18.0		1490	210	
17	60	0.06	15.0		1583	210	
15	80	0.04	11.3		1743	210	
40	5	0.87	180.0	NRV040	1331	290	81
44	7.5	0.65	120.0		1524	319	
44	10	0.50	90.0		1677	350	
45	15	0.36	60.0		1920	350	
44	20	0.28	45.0		2113	350	
43	25	0.23	36.0		2276	350	
49	30	0.23	30.0		2419	350	
45	40	0.17	22.5		2662	350	
42	50	0.14	18.0		2868	350	
39	60	0.11	15.0		3047	350	
35	80	0.09	11.3		3354	350	
32	100	0.07	9.0		3490	350	
75	5	1.6	180.0		NRV050	1827	
84	7.5	1.2	120.0	2091		448	
84	10	0.94	90.0	2302		490	
84	15	0.67	60.0	2635		490	
77	20	0.48	45.0	2900		490	
75	25	0.39	36.0	3124		490	
90	30	0.42	30.0	3320		490	
82	40	0.31	22.5	3654		490	
77	50	0.25	18.0	3936		490	
72	60	0.21	15.0	4183		490	
68	80	0.16	11.3	4604		490	
56	100	0.12	9.0	4840		490	
151	7.5	2.2	120.0	NRV063		2734	580
153	10	1.7	90.0		3009	661	
155	15	1.2	60.0		3444	670	
148	20	0.91	45.0		3791	700	
137	25	0.69	36.0		4084	700	
175	30	0.79	30.0		4339	700	
160	40	0.58	22.5		4776	700	
145	50	0.45	18.0		5145	700	
138	60	0.37	15.0		5467	700	
128	80	0.29	11.3		6018	700	
124	100	0.25	9.0		6270	700	
215	7.5	3.1	120.0	NRV075	3227	810	81
230	10	2.5	90.0		3551	975	
235	15	1.8	60.0		4065	980	
235	20	1.4	45.0		4474	980	
215	25	1.1	36.0		4820	980	
260	30	1.1	30.0		5122	980	
240	40	0.83	22.5		5637	980	
220	50	0.65	18.0		6073	980	
210	60	0.54	15.0		6453	980	
200	80	0.43	11.3		7103	980	
190	100	0.36	9.0		7380	980	


n₁=900

M₂ (Nm)	i	P₁ (kW)	n₂ (min ⁻¹)	减速器型号 Type	Fr₂ (N)	Fr₁ (N)			
340	7.5	4.8	120.0	NRV090	3570	1040	81		
370	10	4.0	90.0		3929	1270			
420	15	3.1	60.0		4498	1270			
390	20	2.3	45.0		4951	1270			
370	25	1.8	36.0		5333	1270			
460	30	1.9	30.0		5667	1270			
410	40	1.4	22.5		6238	1270			
390	50	1.1	18.0		6719	1270			
350	60	0.86	15.0		7140	1270			
315	80	0.63	11.3		7859	1270			
280	100	0.49	9.0	8180	1270				
565	7.5	8.0	120.0	NRV105	4511	1390	81		
620	10	6.6	90.0		4965	1700			
660	15	4.9	60.0		5684	1700			
630	20	3.6	45.0		6256	1700			
660	25	3.1	36.0		6739	1700			
730	30	3.0	30.0		7161	1700			
690	40	2.2	22.5		7882	1700			
680	50	1.8	18.0		8491	1700			
620	60	1.4	15.0		9023	1700			
540	80	1.0	11.3		9931	1700			
490	100	0.80	9.0		10320	1700			
650	7.5	9.2	120.0		NRV110	4511		1390	81
713	10	7.6	90.0			4965		1700	
759	15	5.6	60.0	5684		1700			
725	20	4.1	45.0	6256		1700			
759	25	3.5	36.0	6739		1700			
840	30	3.5	30.0	7161		1700			
794	40	2.5	22.5	7882		1700			
748	50	2.0	18.0	8491		1700			
682	60	1.6	15.0	9023		1700			
567	80	1.1	11.3	9931		1700			
515	100	0.84	9.0	10320		1700			
880	7.5	12.3	120.0	NRV130		5901	1740	81	
960	10	10.3	90.0			6494	2100		
1060	15	7.8	60.0		7434	2100			
1040	20	5.8	45.0		8182	2100			
1050	25	4.8	36.0		8814	2100			
1170	30	4.7	30.0		9366	2100			
1100	40	3.5	22.5		10309	2100			
1050	50	2.7	18.0		11105	2100			
940	60	2.1	15.0		11801	2100			
860	80	1.6	11.3		12989	2100			
780	100	1.2	9.0		13500	2100			
1400	7.5	19.5	120.0		NRV150	8067	2270		81
1480	10	15.7	90.0			8878	2700		
1450	15	10.5	60.0	10163		2645			
1500	20	8.4	45.0	11186		2800			
1380	25	6.3	36.0	12050		2800			
1400	30	5.4	30.0	12805		2800			
1800	40	5.7	22.5	14094		2800			
1600	50	4.1	18.0	15182		2800			
1440	60	3.2	15.0	16133		2800			
1300	80	2.4	11.3	17757		2800			
1150	100	1.8	9.0	18000		2800			


n₁=500

M₂ (Nm)	i	P₁ (kW)	n₂ (min ⁻¹)	减速器型号 Type	Fr₂ (N)	Fr₁ (N)	
24	5	0.30	100.0	NRV030	841	210	81
24	7.5	0.21	66.7		963	210	
24	10	0.16	50.0		1060	210	
24	15	0.12	33.3		1213	210	
23	20	0.09	25.0		1336	210	
29	25	0.10	20.0		1439	210	
26	30	0.08	16.7		1529	210	
23	40	0.06	12.5		1683	210	
21	50	0.05	10.0		1813	210	
19	60	0.04	8.3		1830	210	
17	80	0.03	6.3		1830	210	
49	5	0.60	100.0	NRV040	1619	350	81
54	7.5	0.45	66.7		1853	350	
54	10	0.35	50.0		2040	350	
55	15	0.26	33.3		2335	350	
52	20	0.19	25.0		2570	350	
49	25	0.15	20.0		2769	350	
58	30	0.16	16.7		2942	350	
53	40	0.12	12.5		3238	350	
49	50	0.10	10.0		3488	350	
46	60	0.08	8.3		3490	350	
40	80	0.06	6.3		3490	350	
36	100	0.05	5.0	3490	350		
92	5	1.1	100.0	NRV050	2222	490	81
103	7.5	0.86	66.7		2544	490	
103	10	0.67	50.0		2800	490	
103	15	0.47	33.3		3205	490	
93	20	0.33	25.0		3528	490	
91	25	0.28	20.0		3800	490	
108	30	0.29	16.7		4038	490	
98	40	0.22	12.5		4445	490	
91	50	0.17	10.0		4788	490	
83	60	0.14	8.3		4940	490	
75	80	0.11	6.3		4340	490	
65	100	0.09	5.0	4540	490		
184	7.5	1.5	66.7	NRV063	3325	700	81
185	10	1.2	50.0		3660	700	
187	15	0.85	33.3		4190	700	
178	20	0.63	25.0		4611	700	
164	25	0.48	20.0		4967	700	
200	30	0.54	16.7		5279	700	
185	40	0.40	12.5		5810	700	
173	50	0.32	10.0		6259	700	
160	60	0.26	8.3		6270	700	
137	80	0.19	6.3		6270	700	
128	100	0.16	5.0		6270	700	
260	7.5	2.1	66.7	NRV075	3925	980	81
270	10	1.7	50.0		4320	980	
280	15	1.2	33.3		4945	980	
285	20	0.98	25.0		5443	980	
255	25	0.73	20.0		5863	980	
300	30	0.77	16.7		6231	980	
280	40	0.58	12.5		6858	980	
250	50	0.44	10.0		7380	980	
240	60	0.37	8.3		7380	980	
215	80	0.29	6.3		7380	980	
210	100	0.24	5.0		7380	980	


n₁=500

M₂ (Nm)	i	P₁ (kW)	n₂ (min ⁻¹)	减速器型号 Type	Fr₂ (N)	Fr₁ (N)	
410	7.5	3.3	66.7	NRV090	4343	1270	81
435	10	2.7	50.0		4780	1270	
490	15	2.1	33.3		5472	1270	
470	20	1.6	25.0		6022	1270	
440	25	1.2	20.0		6487	1270	
550	30	1.4	16.7		6894	1270	
480	40	0.95	12.5		7588	1270	
450	50	0.75	10.0		8174	1270	
400	60	0.59	8.3		8180	1270	
365	80	0.45	6.3		8180	1270	
330	100	0.35	5.0		8180	1270	
690	7.5	5.5	66.7		NRV105	5488	
740	10	4.6	50.0	6040		1700	
790	15	3.4	33.3	6914		1700	
750	20	2.5	25.0	7610		1700	
790	25	2.1	20.0	8198		1700	
870	30	2.1	16.7	8711		1700	
810	40	1.5	12.5	9588		1700	
800	50	1.3	10.0	10320		1700	
710	60	0.98	8.3	10320		1700	
630	80	0.72	6.3	10320		1700	
570	100	0.56	5.0	10320		1700	
794	7.5	6.4	66.7	NRV110		5488	1700
851	10	5.2	50.0		6040	1700	
909	15	3.9	33.3		6914	1700	
863	20	2.8	25.0		7610	1700	
909	25	2.4	20.0		8198	1700	
1000	30	2.4	16.7		8711	1700	
932	40	1.7	12.5		9588	1700	
880	50	1.4	10.0		10320	1700	
781	60	1.1	8.3		10320	1700	
662	80	0.76	6.3		10320	1700	
599	100	0.59	5.0		10320	1700	
1080	7.5	8.6	66.7		NRV130	7178	2100
1160	10	7.1	50.0	7900		2100	
1300	15	5.5	33.3	9043		2100	
1230	20	4.0	25.0	9953		2100	
1200	25	3.2	20.0	10722		2100	
1400	30	3.3	16.7	11394		2100	
1300	40	2.4	12.5	12540		2100	
1220	50	1.9	10.0	13500		2100	
1070	60	1.5	8.3	13500		2100	
970	80	1.1	6.3	13500		2100	
860	100	0.85	5.0	13500		2100	
1700	7.5	13.5	66.7	NRV150		9812	2800
1780	10	10.7	50.0		10800	2800	
1730	15	7.2	33.3		12363	2800	
1820	20	5.9	25.0		13607	2800	
1630	25	4.3	20.0		14658	2800	
1670	30	3.8	16.7		15576	2800	
2120	40	3.9	12.5		17144	2800	
1870	50	2.9	10.0		18000	2800	
1680	60	2.3	8.3		18000	2800	
1530	80	1.7	6.3		18000	2800	
1350	100	1.3	5.0		18000	2800	

$n_1=1400$

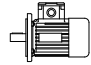

M_2 (Nm)	i	P_1 (kW)	n_2 (min ⁻¹)	减速器型号 Type	Fr_2 (N)	Fr_1 (N)	
73	300	0.08	4.7	NRV030/040	3490	210	81
65	400	0.06	3.5		3490	210	
61	500	0.04	2.8		3490	210	
73	600	0.04	2.3		3490	210	
73	750	0.04	1.9		3490	210	
73	900	0.03	1.6		3490	210	
65	1200	0.02	1.2		3490	210	
73	1500	0.02	0.9		3490	210	
73	1800	0.02	0.8		3490	210	
65	2400	0.01	0.58		3490	210	
65	3200	0.01	0.4		3490	210	
33	4000	0.01	0.4		3490	210	
29	5000	0.01	0.28		3490	210	
145	300	0.15	4.7		NRV030/050	4840	
124	400	0.10	3.5	4840		210	
120	500	0.09	2.8	4840		210	
145	600	0.08	2.3	4840		210	
145	750	0.07	1.9	4840		210	
145	900	0.06	1.6	4840		210	
124	1200	0.04	1.2	4840		210	
145	1500	0.04	0.93	4840		210	
145	1800	0.04	0.78	4840		210	
124	2400	0.03	0.6	4840		210	
120	3000	0.02	0.5	4840		210	
82	4000	0.02	0.35	4840		210	
82	4800	0.02	0.29	4840		210	
230	300	0.24	4.7	NRV030/063		6270	210
230	400	0.19	3.5		6270	210	
216	500	0.15	2.8		6270	210	
230	600	0.13	2.3		6270	210	
216	750	0.11	1.9		6270	210	
198	900	0.09	1.6		6270	210	
230	1200	0.08	1.2		6270	210	
216	1500	0.06	0.93		6270	210	
198	1800	0.05	0.78		6270	210	
230	2400	0.05	0.58		6270	210	
216	3000	0.04	0.47		6270	210	
172	4000	0.03	0.35		6270	210	
150	5000	0.02	0.28		6270	210	
390	300	0.36	4.7		NRV040/075	7380	350
360	400	0.27	3.5	7380		350	
320	500	0.21	2.8	7380		350	
390	600	0.19	2.3	7380		350	
390	750	0.16	1.9	7380		350	
390	900	0.14	1.6	7380		350	
360	1200	0.11	1.2	7380		350	
390	1500	0.10	0.93	7380		350	
390	1800	0.09	0.78	7380		350	
360	2400	0.07	0.58	7380		350	
320	3000	0.05	0.47	7380		350	
250	4000	0.04	0.35	7380		350	
230	5000	0.03	0.28	7380		350	
610	300	0.56	4.7	NRV040/090		8180	350
610	400	0.43	3.5		8180	350	
560	500	0.34	2.8		8180	350	
610	600	0.30	2.3		8180	350	
560	750	0.23	1.9		8180	350	
505	900	0.19	1.6		8180	350	
610	1200	0.17	1.2		8180	350	
560	1500	0.14	0.93		8180	350	

$n_1=1400$

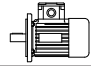

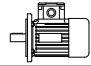
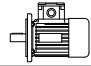
M₂ (Nm)	i	P₁ (kW)	n₂ (min ⁻¹)	减速器型号 Type	Fr₂ (N)	Fr₁ (N)			
505	1800	0.11	0.78	NRV040/090	8180	350	81		
610	2400	0.11	0.58		8180	350			
560	3000	0.08	0.47		8180	350			
460	4000	0.08	0.35		8180	350			
410	5000	0.06	0.28		8180	350			
1100	300	0.95	4.7	NRV050/105	10320	490	81		
1030	400	0.69	3.5		10320	490			
1000	500	0.56	2.8		10320	490			
1030	600	0.48	2.3		10320	490			
1100	750	0.43	1.9		10320	490			
1100	900	0.38	1.6		10320	490			
1030	1200	0.27	1.2		10320	490			
1100	1500	0.26	0.93		10320	490			
1100	1800	0.23	0.78		10320	490			
1030	2400	0.17	0.58		10320	490			
1000	3000	0.14	0.47		10320	490			
780	4000	0.12	0.35		10320	490			
710	5000	0.09	0.28		10320	490			
1265	300	1.1	4.7		NRV050/110	10320		490	81
1185	400	0.79	3.5			10320		490	
1100	500	0.61	2.8	10320		490			
1185	600	0.55	2.3	10320		490			
1265	750	0.49	1.9	10320		490			
1265	900	0.43	1.6	10320		490			
1185	1200	0.31	1.2	10320		490			
1265	1500	0.30	0.93	10320		490			
1265	1800	0.26	0.78	10320		490			
1185	2400	0.19	0.58	10320		490			
1100	3000	0.15	0.47	10320		490			
819	4000	0.13	0.35	10320		490			
746	5000	0.10	0.28	10320		490			
1760	300	1.5	4.7	NRV063/130		13500	700	81	
1650	400	1.1	3.5			13500	700		
1550	500	0.86	2.8		13500	700			
1650	600	0.76	2.3		13500	700			
1760	750	0.66	1.9		13500	700			
1760	900	0.58	1.6		13500	700			
1650	1200	0.43	1.2		13500	700			
1760	1500	0.39	0.93		13500	700			
1760	1800	0.35	0.78		13500	700			
1650	2400	0.25	0.58		13500	700			
1550	3000	0.20	0.47		13500	700			
1220	4000	0.15	0.35		13500	700			
1100	5000	0.11	0.28		13500	700			
2340	150	3.4	9.3		NRV063/150	18000	700		81
2340	200	2.7	7.0			18000	700		
2050	250	1.9	5.6	18000		700			
2340	300	1.9	4.7	18000		700			
2670	400	1.8	3.5	18000		700			
2330	500	1.4	2.8	18000		700			
2670	600	1.3	2.3	18000		700			
2330	750	0.98	1.9	18000		700			
2100	900	0.71	1.6	18000		700			
2670	1200	0.75	1.2	18000		700			
2100	1800	0.44	0.8	18000		700			
2670	2400	0.46	0.6	18000		700			
2330	3000	0.34	0.5	18000		700			
1880	4000	0.23	0.4	18000		700			
1650	5000	0.18	0.3	18000		700			

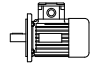

9.4 UDL(TXF)+JMRV 性能参数

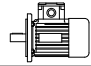

9.4 UDL(TXF)+JMRV Performance

P_1 (kW)	n_2 (min ⁻¹)	M_2 (Nm)	i	减速器型号 Type		
0.18	117~22.5	9~18	12~61.5	UDL002-NMRV040	632-4	80
	88~17	12~23	16~82			
	58.7~11.3	17~32	24~123			
	44~8.5	22~40	32~164			
	35.2~6.8	27~47	40~205			
	29.3~5.7	30~51	48~246			
	22~4.3	37~62	64~328			
	17.6~3.4	43~60	80~410	UDL002-NMRV050	632-4	80
	22~4.3	38~63	64~328			
	17.6~3.4	44~73	80~410			
	14.7~2.8	50~80	96~492			
	11~2.1	59~82	128~656			
	8.8~1.7	66~79	160~820			
0.25	133~26.7	13~30	10.5~52.5	UDL005-NMRV040 TXF005NMRV040	711-4	80
	100~20	16~38	14~70			
	66.7~13.3	24~53	21~105			
	50~10	32~68	28~140			
	40~8	38~80	35~175			
	33.3~6.7	43~89	42~210			
	25~5	48~96	56~280			
	25~5	54~112	56~280	UDL005-NMRV050 TXF005NMRV050	711-4	80
	20~4	59~122	70~350			
	16.7~3.3	66~135	84~420			
	12.5~2.5	72~120	112~560			
0.37	133~26.7	19~36	10.5~52.5	UDL005-NMRV050 TXF005NMRV050	712-4	80
	100~20	25~47	14~70			
	66.7~13.3	36~65	21~105			
	50~10	46~82	28~140			
	40~8	55~97	35~175			
	33.3~6.7	61~107	42~210			
	25~5	76~124	56~280			
	20~4	89~120	70~350	UDL005-NMRV063 TXF005NMRV063	712-4	80
	25~5	79~134	56~280			
	20~4	92~155	70~350			
	16.7~3.3	104~173	84~420			
	12.5~2.5	125~173	112~560			
	10~2	139~150	140~700			
0.55	133~26.7	26~49	10.5~52.5	UDL010-NMRV063 TXF010NMRV063	801-4	80
	100~20	34~63	14~70			
	66.7~13.3	48~88	21~105			
	50~10	62~112	28~140			
	40~8	75~133	35~175			
	33.3~6.7	81~146	42~210			
	25~5	105~179	56~280			
	20~4	123~207	70~350	UDL010-NMRV075 TXF010NMRV075	801-4	80
	20~4	129~216	70~350			
	16.7~3.3	146~242	84~420			
	12.5~2.5	176~250	112~560			
12.5~2.5	189~309	112~560	UDL010-NMRV090 TXF010NMRV090	801-4	80	
10~2	218~350	140~700				



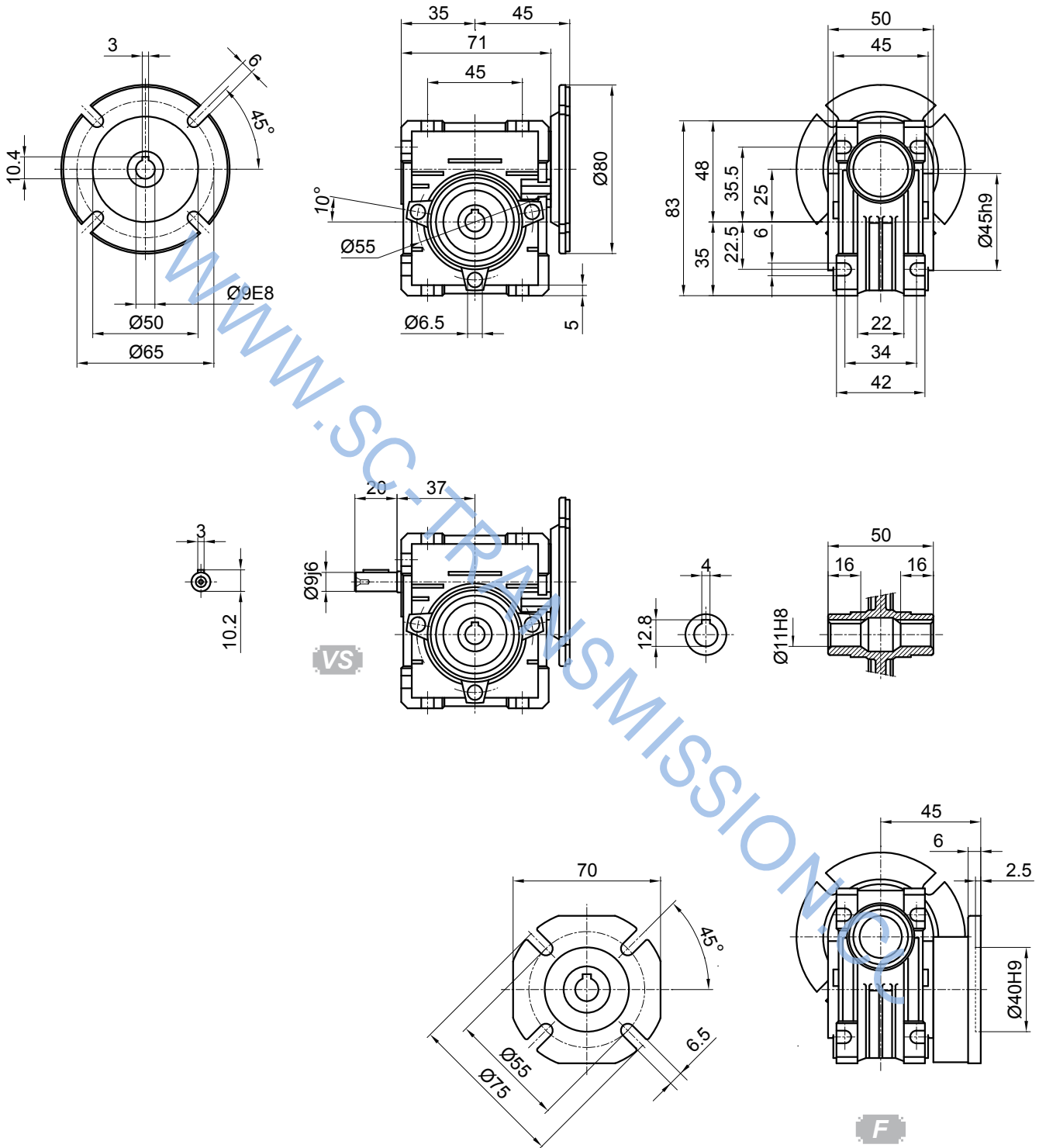
P_1 (kW)	n_2 (min ⁻¹)	M_2 (Nm)	i	减速器型号 Type		
0.75	133~26.7	39~73	10.5~52.5	<i>UDL010-NMRV063</i> <i>TXF010NMRV063</i>		80
	100~20	51~94	14~70			
	66.7~13.3	72~132	21~105			
	50~10	92~168	28~140			
	40~8	112~199	35~175			
	33.3~6.7	126~219	42~210			
	25~5	156~232	56~280			
	20~4	185~310	70~350			
	20~4	192~320	70~350	<i>UDL010-NMRV075</i> <i>TXF010NMRV075</i>		
	16.7~3.3	219~300	84~420			
	16.7~3.3	230~389	84~420	<i>UDL010NMRV090</i> <i>TXF010-NMRV090</i>		
	12.5~2.5	265~428	112~560			
	10~2	303~410	140~700			
	12.5~2.5	302~503	112~560	<i>UDL010NMRV105</i> <i>TXF010-NMRV105</i>		
10~2	348~575	140~700				
12.5~2.5	302~503	112~560	<i>UDL010NMRV110</i> <i>TXF010-NMRV110</i>			
10~2	348~575	140~700				
1.1	133~26.7	59~111	10.5~52.5	<i>UD020-NMRV075</i>		80
	100~20	77~144	14~70			
	66.7~13.3	110~203	21~105			
	50~10	142~258	28~140			
	40~8	172~308	35~175			
	33.3~6.7	195~340	42~210			
	25~5	245~360	56~280			
	100~20	78~146	14~70	<i>UD020-NMRV090</i>		
	66.7~13.3	113~208	21~105			
	50~10	146~266	28~140			
	40~8	177~320	35~175			
	33.3~6.7	202~356	42~210			
	25~5	256~442	56~280			
	20~4	304~517	70~350			
	20~4	320~550	70~350	<i>UD020-NMRV105</i>		
	16.7~3.3	368~625	84~420			
	12.5~2.5	455~754	112~560			
	10~2	522~710	140~700			
	20~4	320~550	70~350	<i>UD020-NMRV110</i>		
	16.7~3.3	368~625	84~420			
	12.5~2.5	455~754	112~560			
10~2	522~710	140~700				
16.7~3.3	373~623	84~420	<i>UD020-NMRV130</i>			
12.5~2.5	460~749	112~560				
10~2	531~868	140~700				

P_1 (kW)	n_2 (min ⁻¹)	M_2 (Nm)	i	减速器型号 Type			
1.5	133~26.7	78~148	10.5~52.5	<i>UD020-NMRV075</i>	90L-4	80	
	100~20	102~192	14~70				
	66.7~13.3	147~270	21~105				
	50~10	190~344	28~140				
	40~8	229~330	35~175				
	33.3~6.7	260~390	42~210				
	25~5	327~360	56~280				
	133~26.7	77~150	10.5~52.5				<i>UD020-NMRV090</i>
	100~20	104~195	14~70				
	66.7~13.3	150~277	21~105				
	50~10	194~355	28~140				
	40~8	236~427	35~175				
	33.3~6.7	270~474	42~210				
	25~5	341~589	56~280				
	20~4	406~560	70~350				
	20~4	426~733	70~350	<i>UD020-NMRV105</i>	90L-4	80	
	16.7~3.3	490~833	84~420				
	20~4	426~733	70~350	<i>UD020-NMRV110</i>	90L-4	80	
	16.7~3.3	490~833	84~420				
	16.7~3.3	498~831	84~420	<i>UD020-NMRV130</i>	90L-4	80	
	12.5~2.5	614~999	112~560				
	10~2	696~1100	140~700				
	2.2	133~26.7	120~226	10.5~52.5	<i>UD030-NMRV105</i>	100L1-4	80
		100~20	157~294	14~70			
66.7~13.3		228~418	21~105				
50~10		298~549	28~140				
40~8		364~664	35~175				
33.3~6.7		413~717	42~210				
25~5		533~931	56~280				
133~26.7		120~226	10.5~52.5	<i>UD030-NMRV110</i>			
100~20		157~294	14~70				
66.7~13.3		228~418	21~105				
50~10		298~549	28~140				
40~8		364~664	35~175				
33.3~6.7		413~717	42~210				
25~5		533~931	56~280				
25~5		542~932	56~280		<i>UD030-NMRV130</i>	100L1-4	80
20~4		648~1097	70~350				
16.7~3.3		746~1246	84~420				
12.5~2.5		921~1499	112~560				
10~2		1040~1690	140~700				

P_1 (kW)	n_2 (min ⁻¹)	M_2 (Nm)	i	减速器型号 Type		
3.0	133~26.7	160~302	10.5~52.5	UD030-NMRV105	100L2-4	80
	100~20	210~392	14~70			
	66.7~13.3	304~558	21~105			
	50~10	398~732	28~140			
	40~8	485~885	35~175			
	33.3~6.7	547~956	42~210			
	25~5	711~1030	56~280			
	133~26.7	160~302	10.5~52.5	UD030-NMRV110	100L2-4	80
	100~20	210~392	14~70			
	66.7~13.3	304~558	21~105			
	50~10	398~732	28~140			
	40~8	485~885	35~175			
	33.3~6.7	547~956	42~210			
	25~5	711~1030	56~280			
	133~26.7	160~301	10.5~52.5	UD030-NMRV130	100L2-4	80
100~20	211~395	14~70				
66.7~13.3	307~563	21~105				
50~10	402~733	28~140				
40~8	490~885	35~175				
33.3~6.7	562~973	42~210				
25~5	720~1242	56~280				
20~4	864~1463	70~350				
4.0	133~26.7	213~402	10.5~52.5	UD050-NMRV105	112M4	80
	100~20	279~523	14~70			
	66.7~13.3	405~744	21~105			
	50~10	530~975	28~140			
	40~8	647~1020	35~175			
	133~26.7	213~402	10.5~52.5	UD050-NMRV110	112M4	80
	100~20	279~523	14~70			
	66.7~13.3	405~744	21~105			
	50~10	530~975	28~140			
	40~8	647~1020	35~175			
	133~26.7	214~401	10.5~52.5	UD050-NMRV130	112M4	80
	100~20	281~527	14~70			
	66.7~13.3	410~751	21~105			
	50~10	536~978	28~140			
	40~8	653~1180	35~175			
33.3~6.7	749~1298	42~210				
25~5	960~1650	56~280				

10.0 减速器尺寸图
SPEED REDUCER UNIT DIMENSIONS CHARTS

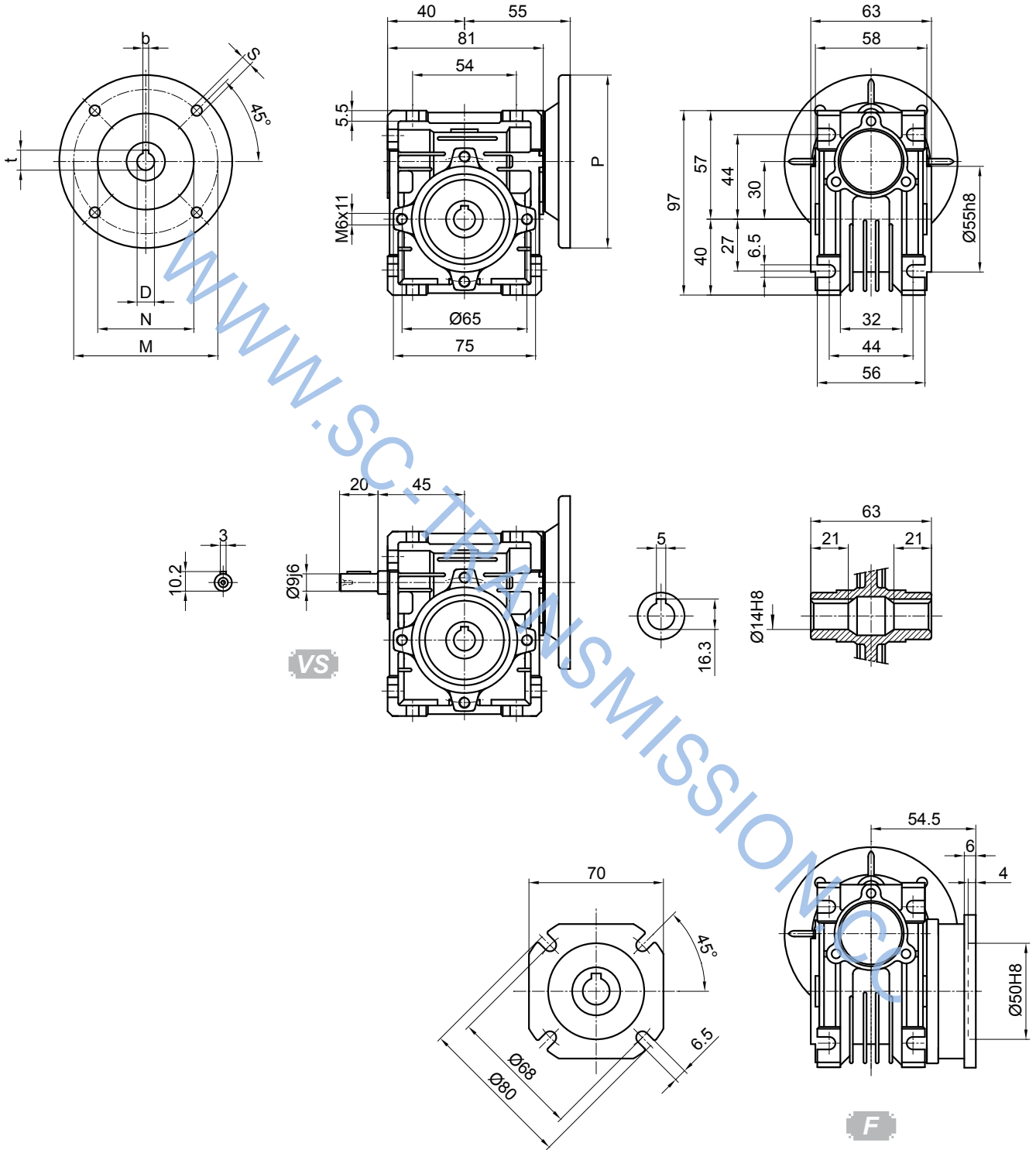
NMRV025



*不带电机重量 ≈0.7kg

*Weight without motor ≈0.7kg

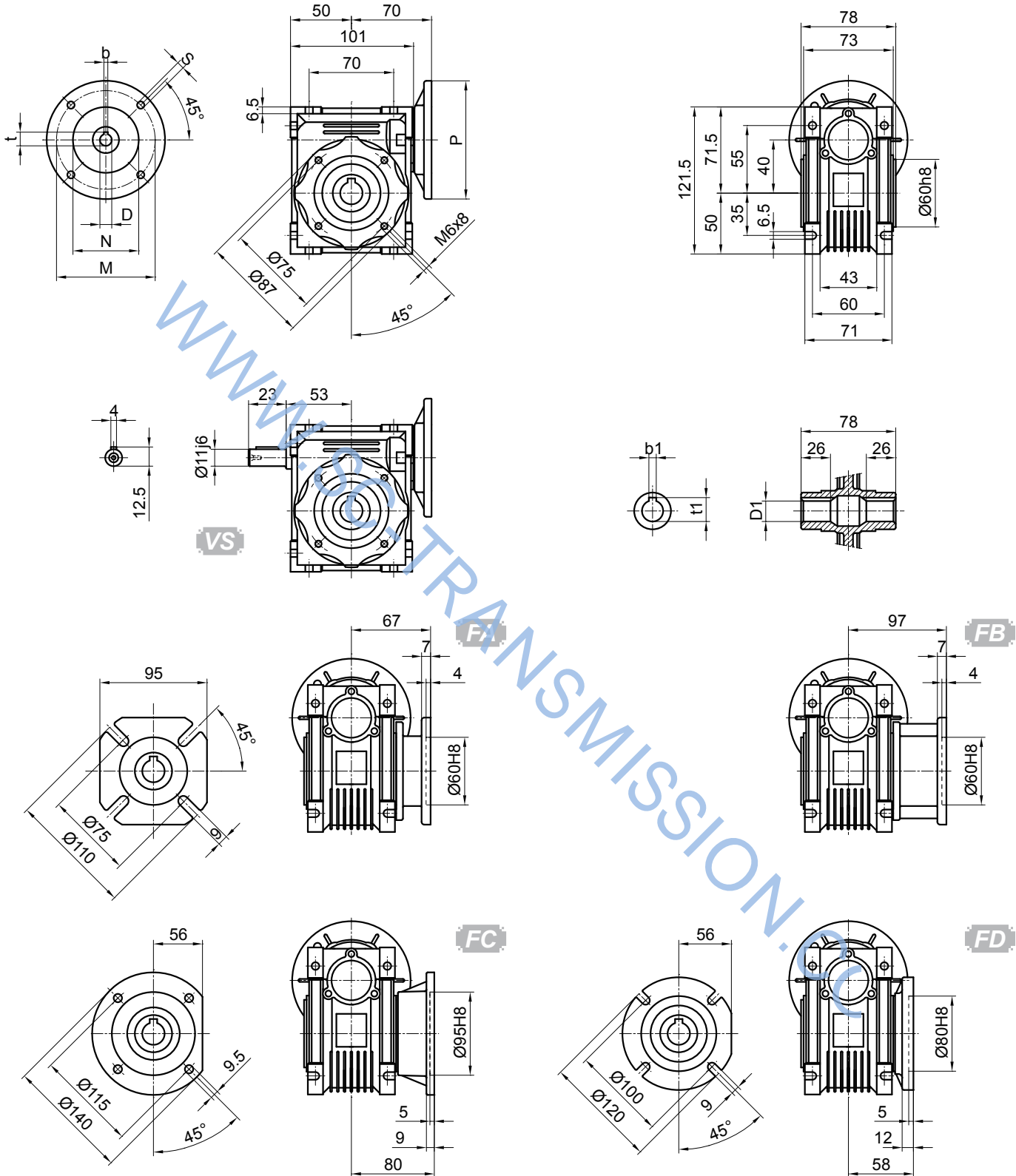
NMRV030



PAM IEC	D_{E8}	b	t	P	M	N	S
63B5	11	4	12.8	140	115	95	9
63B14	11	4	12.8	90	75	60	5.5
56B5	9	3	10.4	120	100	80	6.5
56B14	9	3	10.4	80	65	50	5.5

*不带电机重量 $\approx 1.2\text{kg}$
 *Weight without motor $\approx 1.2\text{kg}$

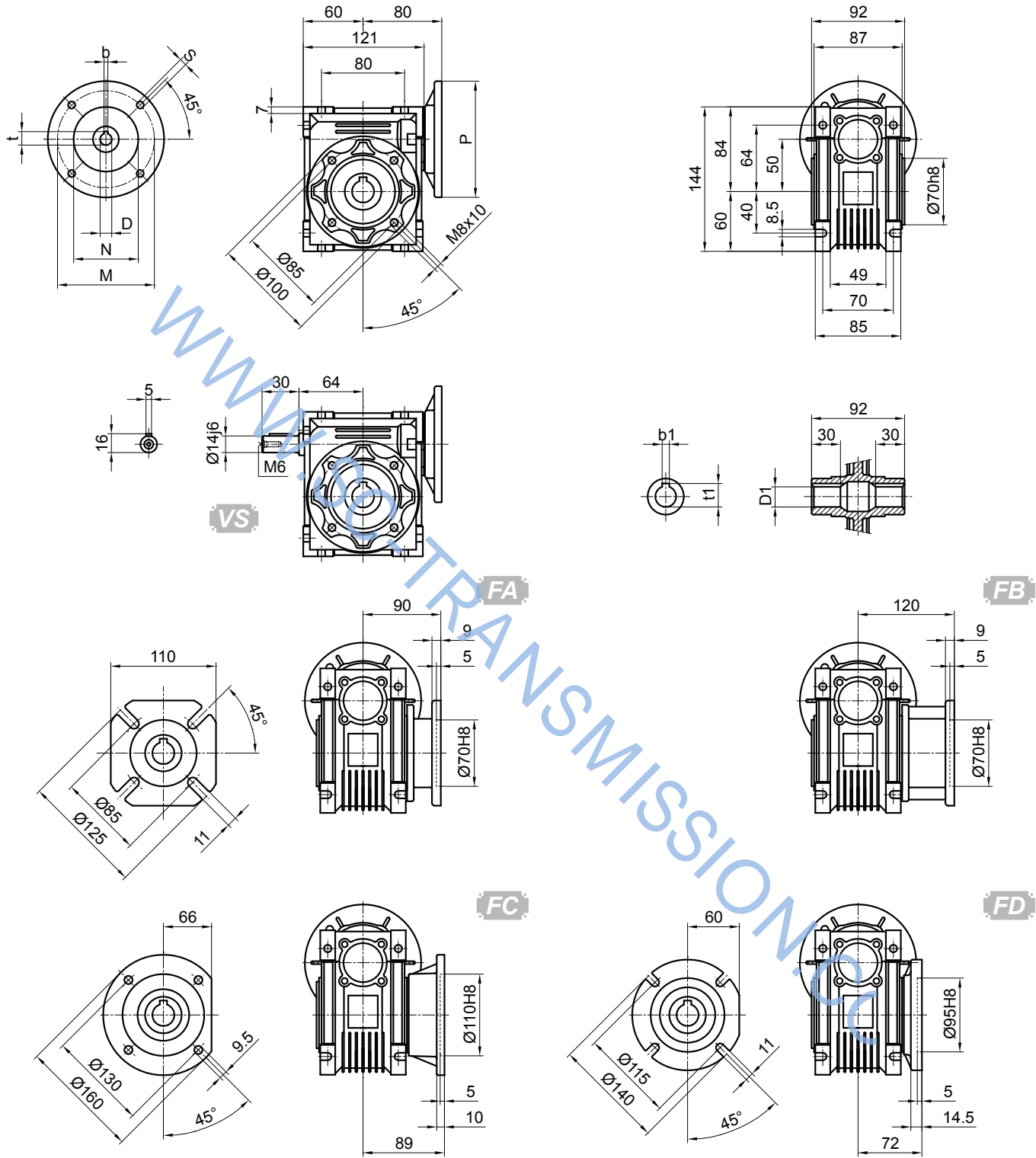
NMRV040



PAM IEC	D _{EB}	b	t	P	M	N	S	输出 Output	D _{1H8}	b ₁	t ₁
									71B5	14	5
71B14	14	5	16.3	105	85	70	6.5	(19)	(6)	(21.8)	
63B5	11	4	12.8	140	115	95	9	(..) 根据用户要求定制 (..) Only on request			
63B14	11	4	12.8	90	75	60	6				
56B5	9	3	10.4	120	100	80	6.5				

*不带电机重量 ≈2.3kg
*Weight without motor ≈2.3kg

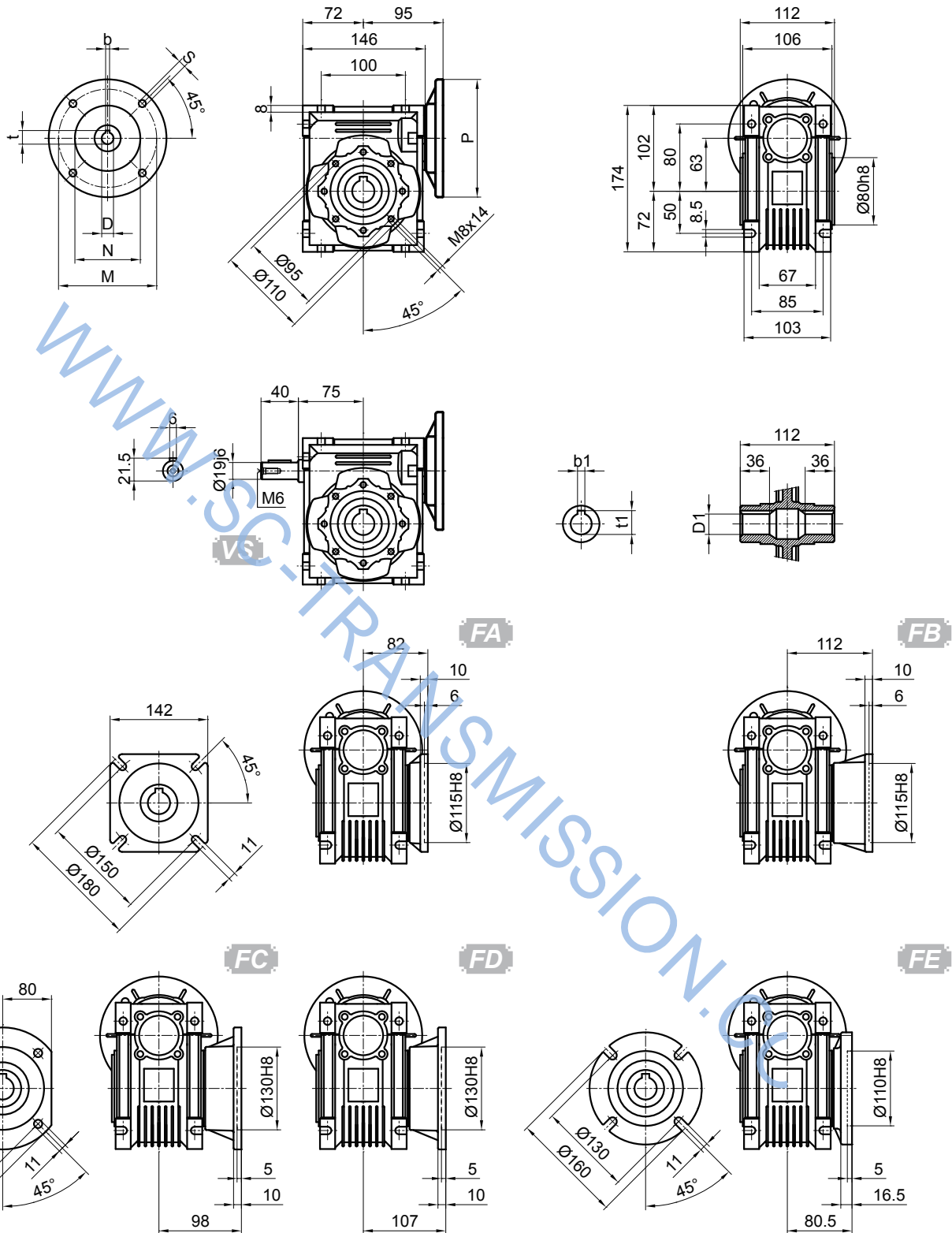
NMRV050



PAM IEC	D _{E8}	b	t	P	M	N	S	输出 Output	D1 _{H8}	b1	t1
									80B5	19	6
80B14	19	6	21.8	120	100	80	6.5	(24)	(8)	(27.3)	
71B5	14	5	16.3	160	130	110	8.5	(..) 根据用户要求定制 (..) Only on request			
71B14	14	5	16.3	105	85	70	7				
63B5	11	4	12.8	140	115	95	8.5				

*不带电机重量 ≈3.5kg
*Weight without motor ≈3.5kg

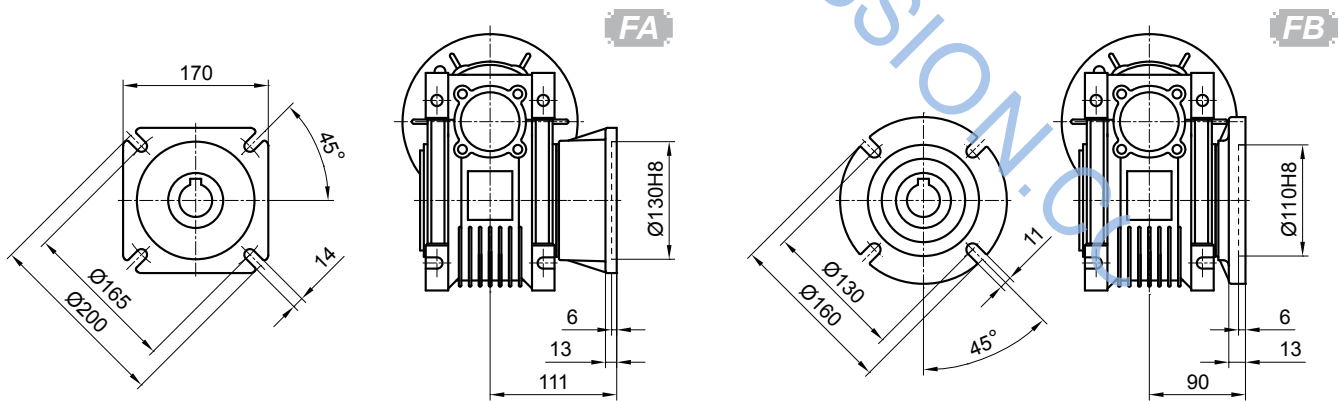
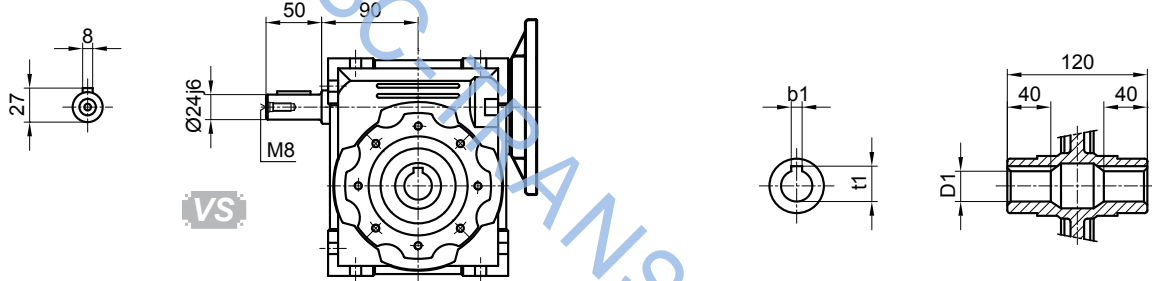
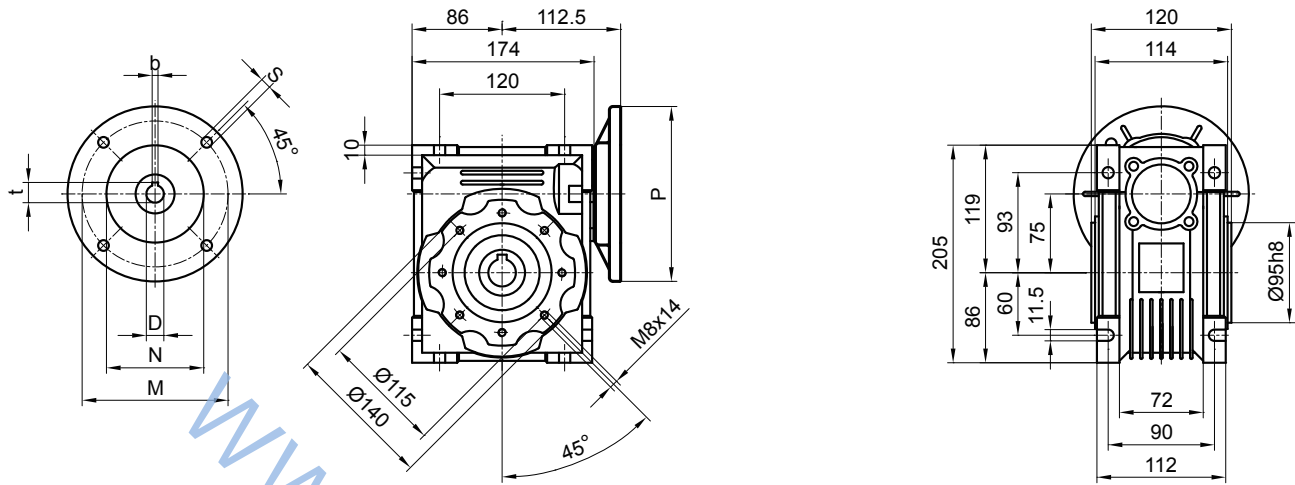
NMRV063



PAM IEC	D _{Es}	b	t	P	M	N	S	输出 Output	D _{1H8}	b ₁	t ₁
90B5	24	8	27.3	200	165	130	11		25	8	28.3
90B14	24	8	27.3	140	115	95	9	(28)	(8)	(31.3)	
80B5	19	6	21.8	200	165	130	11	(..) 根据用户要求定制 (..) Only on request			
80B14	19	6	21.8	120	100	80	7				
71B5	14	5	16.3	160	130	110	8.5				
71B14	14	5	16.3	105	85	70	7				

*不带电机重量 ≈6.2kg
*Weight without motor ≈6.2kg

NMRV075

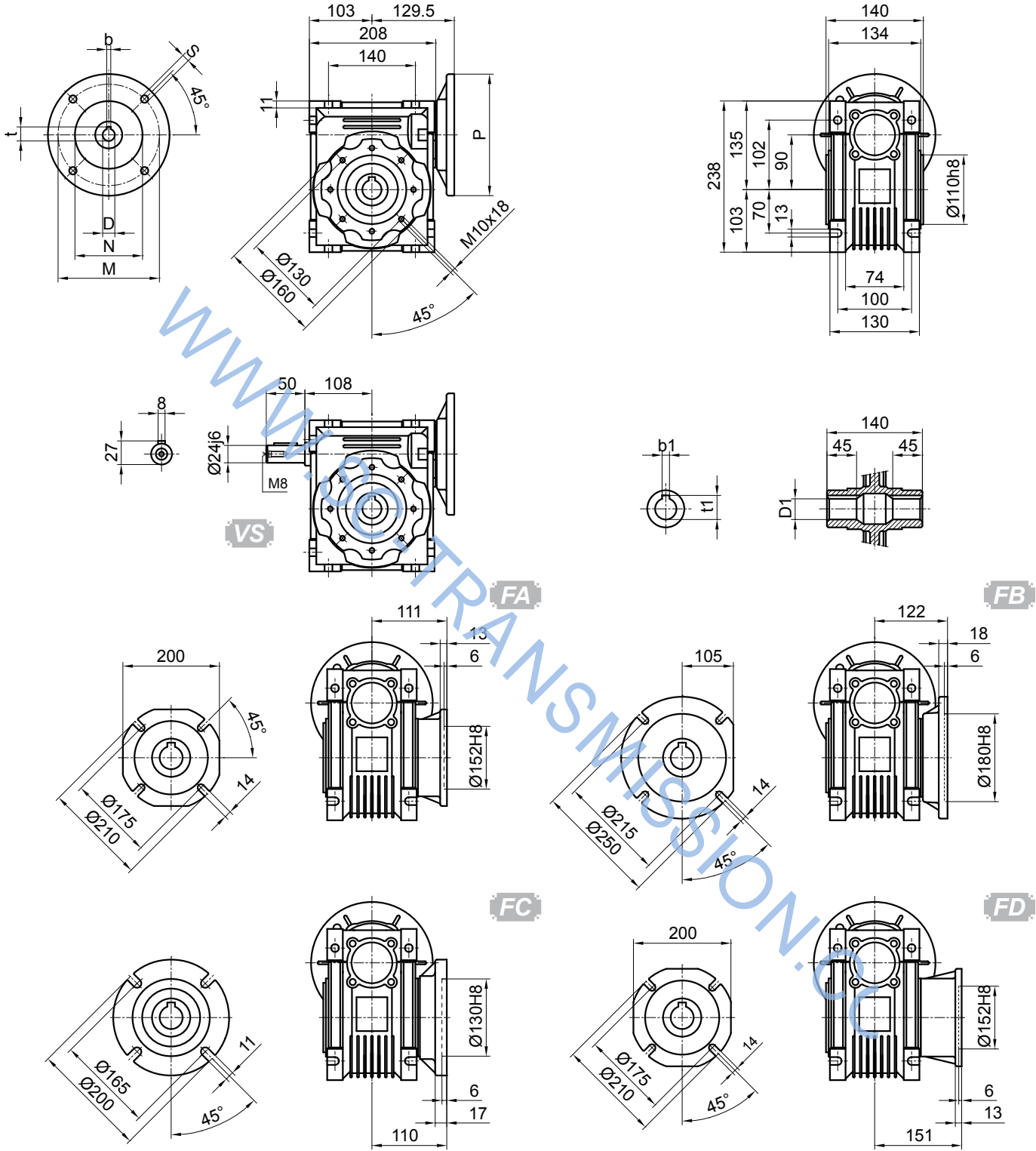


PAM IEC	D _{E8}	b	t	P	M	N	S	输出 Output	D _{1H8}	b ₁	t ₁
100/112B5	28	8	31.3	250	215	180	13			28	8
100/112B14	28	8	31.3	160	130	110	9		(35)	(10)	(38.3)
90B5	24	8	27.3	200	165	130	11				
90B14	24	8	27.3	140	115	95	9				
80B5	19	6	21.8	200	165	130	11				
80B14	19	6	21.8	120	100	80	6.5				
71B5	14	5	16.3	160	130	110	9				

(..) 根据用户要求定制
(..) Only on request

*不带电机重量 ≈9.0kg
*Weight without motor ≈9.0kg

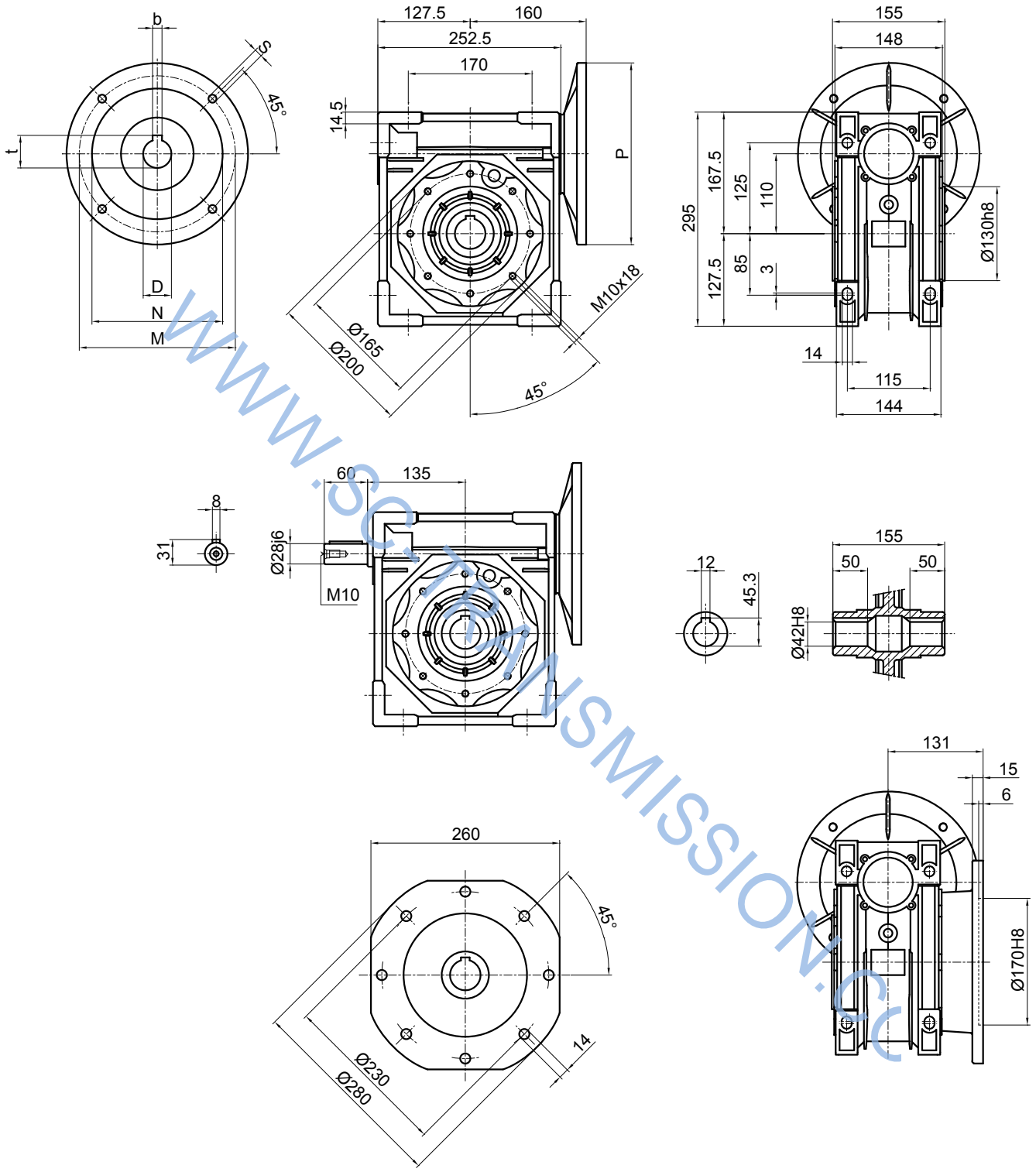
NMRV090



PAM IEC	D_{E8}	b	t	P	M	N	S	Output	$D1_{H8}$	$b1$	$t1$
100/112B5	28	8	31.3	250	215	180	13		输出	35	10
100/112B14	28	8	31.3	160	130	110	9	(38)		(10)	(41.3)
90B5	24	8	27.3	200	165	130	11	Output	(..) 根据用户要求定制		
90B14	24	8	27.3	140	115	95	9		(..) Only on request		
80B5	19	6	21.8	200	165	130	11				
80B14	19	6	21.8	120	100	80	6.5				

*不带电机重量 $\approx 13\text{kg}$
 *Weight without motor $\approx 13\text{kg}$

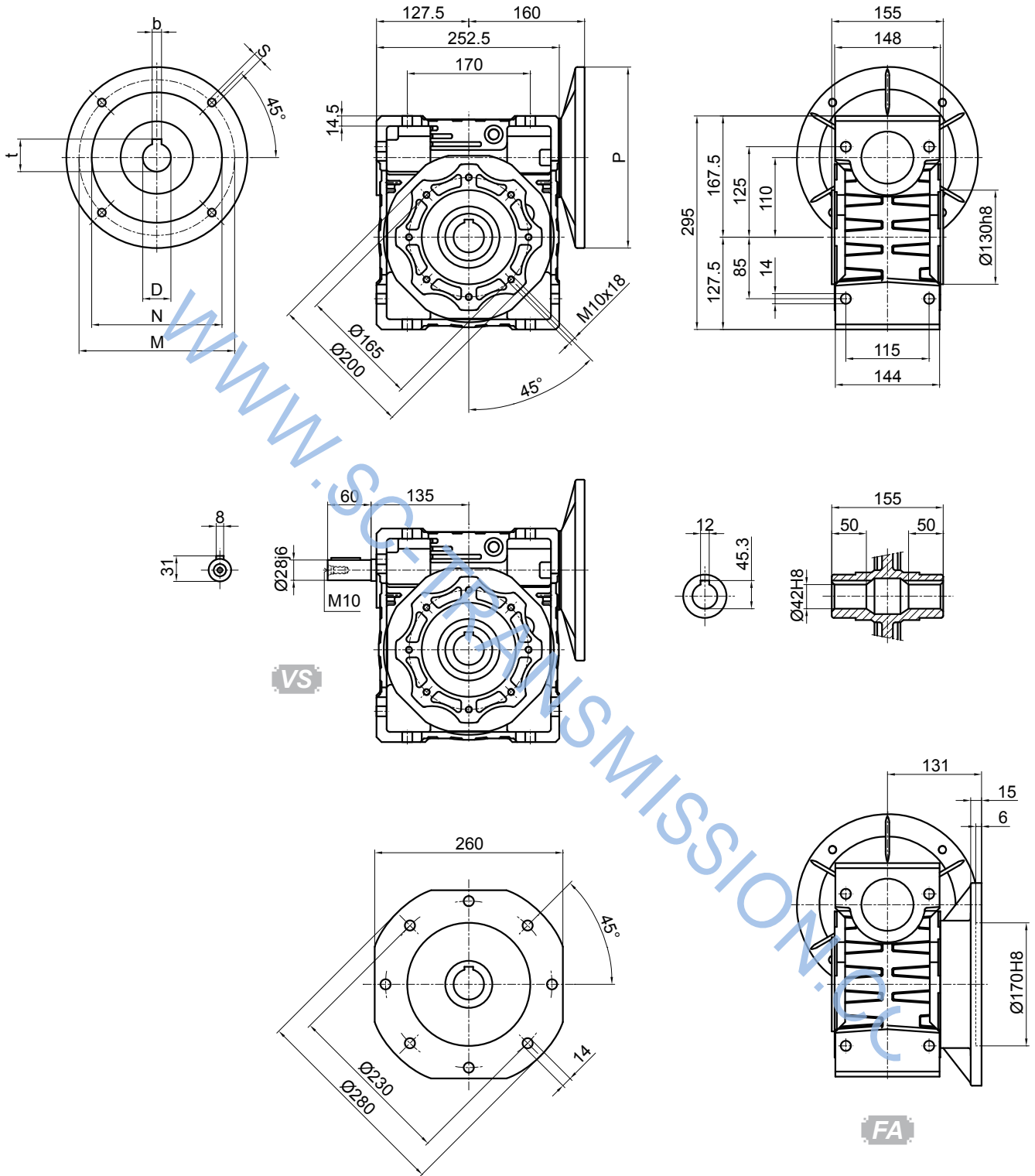
NMRV105



PAM IEC	D _{E8}	b	t	P	M	N	S
132B5	38	10	41.3	300	265	230	M12
100/112B5	28	8	31.3	250	215	180	13
90B5	24	8	27.3	200	165	130	11
80B5	19	6	21.8	200	165	130	11

*不带电机重量 ≈ 21kg
 *Weight without motor ≈ 21kg

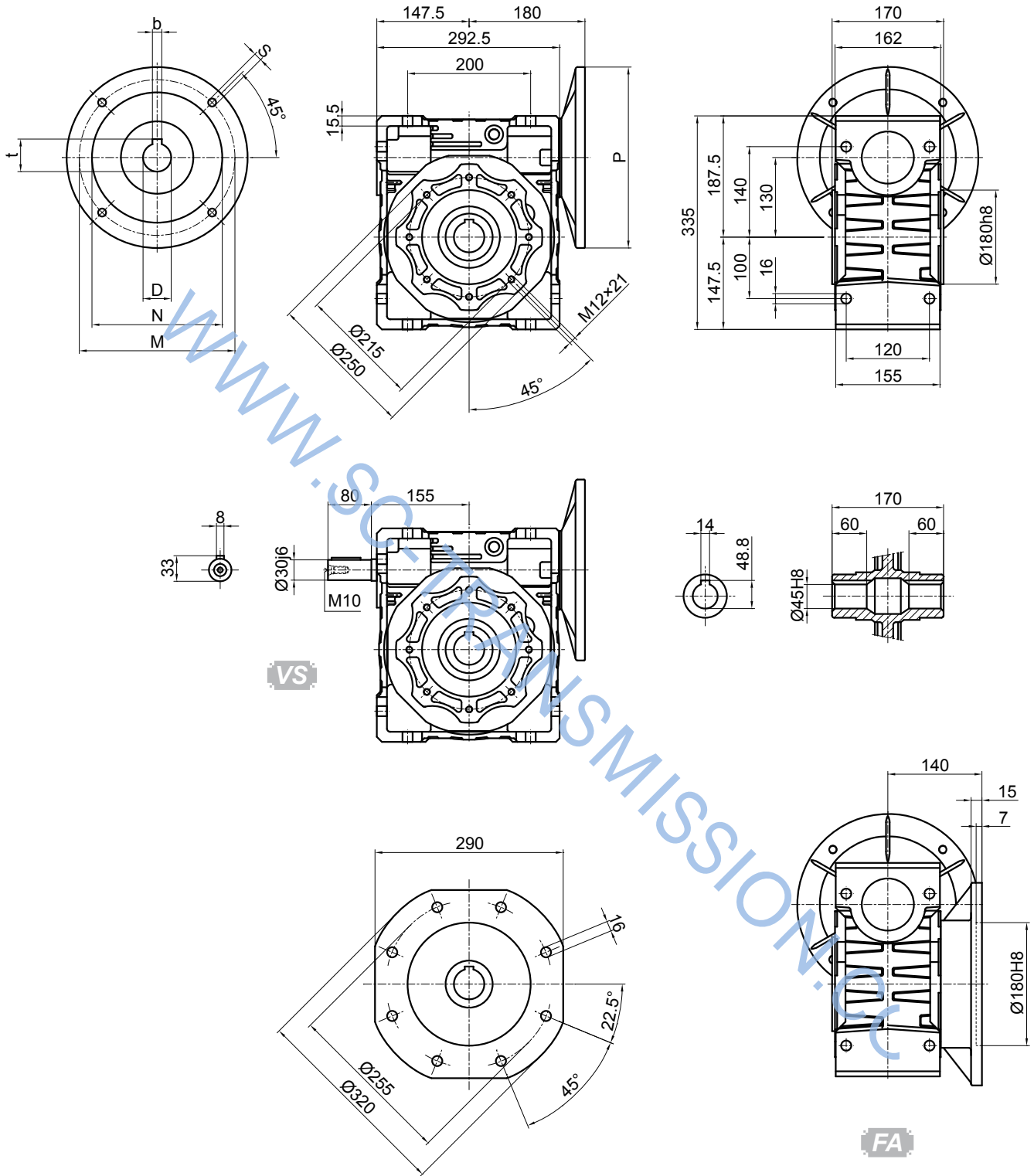
NMRV110



PAM IEC	D_{E8}	b	t	P	M	N	S
132B5	38	10	41.3	300	265	230	M12
100/112B5	28	8	31.3	250	215	180	13
90B5	24	8	27.3	200	165	130	11
80B5	19	6	21.8	200	165	130	11

*不带电机重量 $\approx 35\text{kg}$
 *Weight without motor $\approx 35\text{kg}$

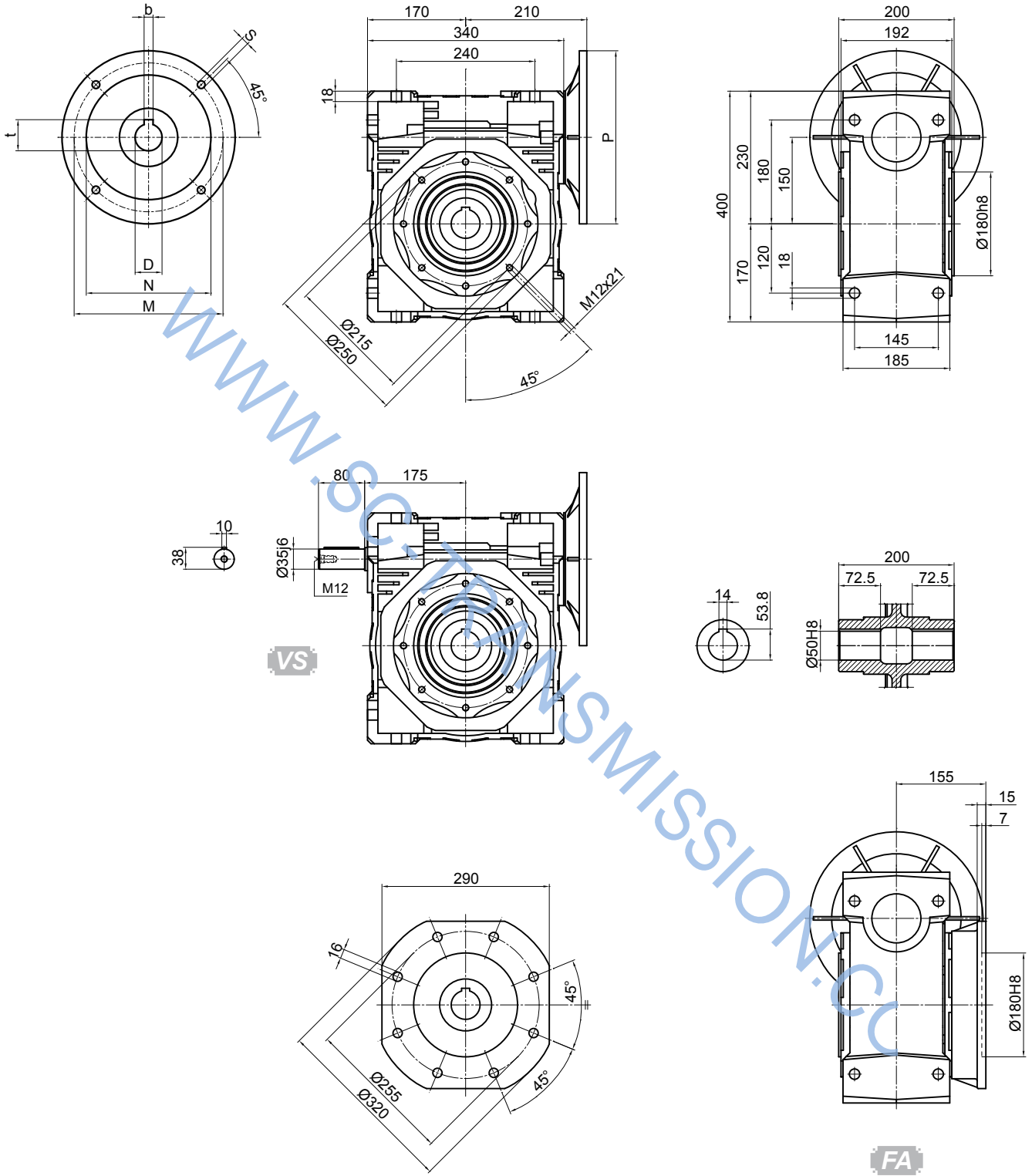
NMRV130



PAM IEC	D _{ES}	b	t	P	M	N	S
132B5	38	10	41.3	300	265	230	M12
100/112B5	28	8	31.3	250	215	180	13
90B5	24	8	27.3	200	165	130	11

*不带电机重量 ≈ 48kg
 *Weight without motor ≈ 48kg

NMRV150



PAM IEC	D _{ES}	b	t	P	M	N	S
160B5	42	12	45.3	350	300	250	19
132B5	38	10	41.3	300	265	230	M12
100/112B5	28	8	31.3	250	215	180	M12

*不带电机重量 ≈84kg
 *Weight without motor ≈84kg

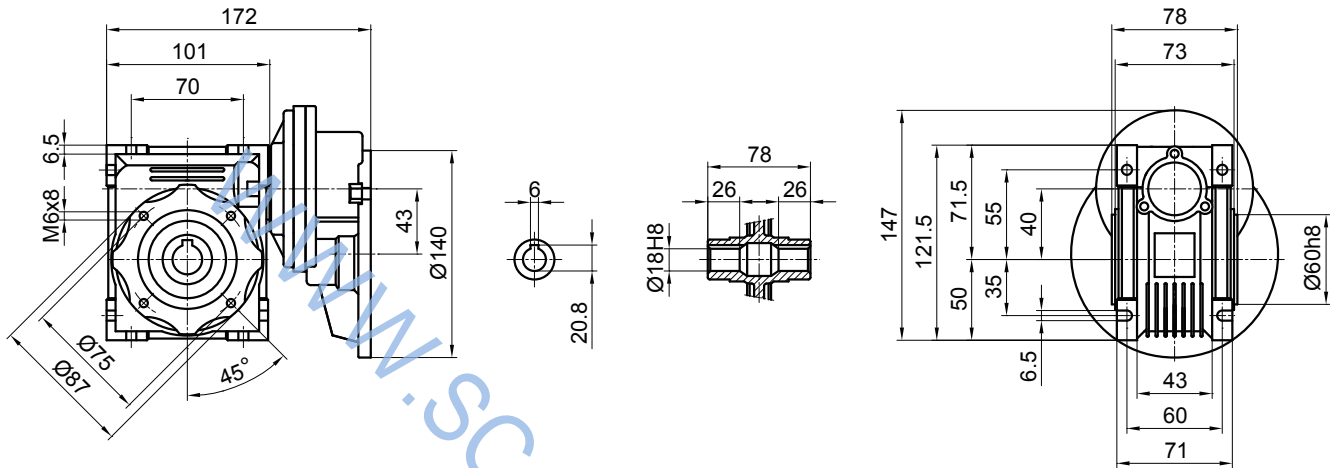
10.2 PC+NMRV 尺寸图

- 关于输出法兰的尺寸，请参考NMRV有关图纸。
- 关于空心输出轴的尺寸，请参考NMRV的相关图纸。
- 关于双轴伸蜗杆的尺寸，请参考NMRV的相关图纸。

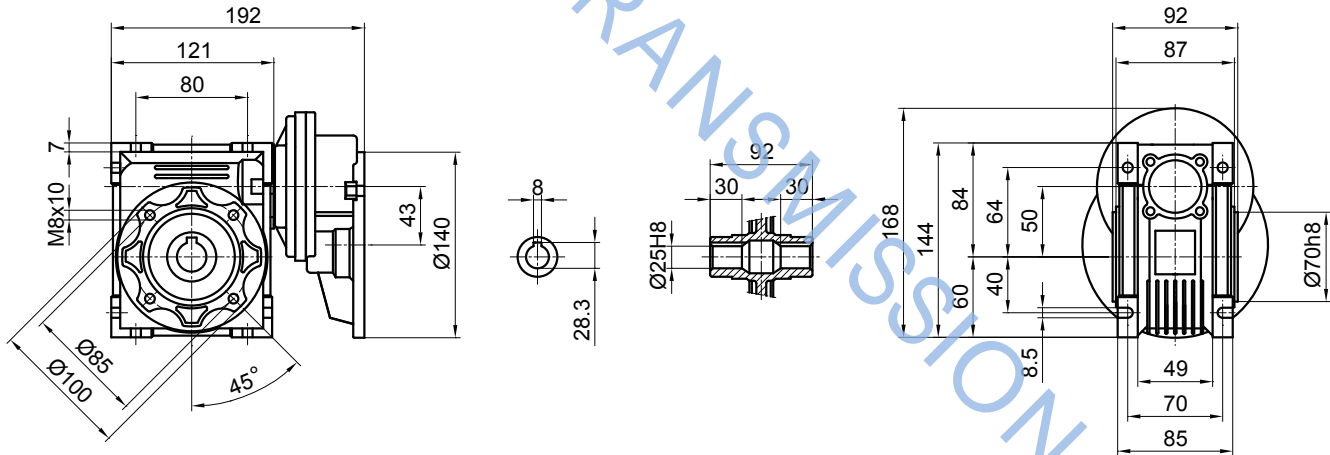
10.2 PC+NMRV Dimensions charts

- For the dimensions of the output flanges, please consider the drawing of relevant NMRV size.
- For the dimensions of the hollow shafts in option, please consider the drawing of relevant NMRV size.
- For the dimensions of the double extension worm shafts, please consider the drawing of relevant NMRV size

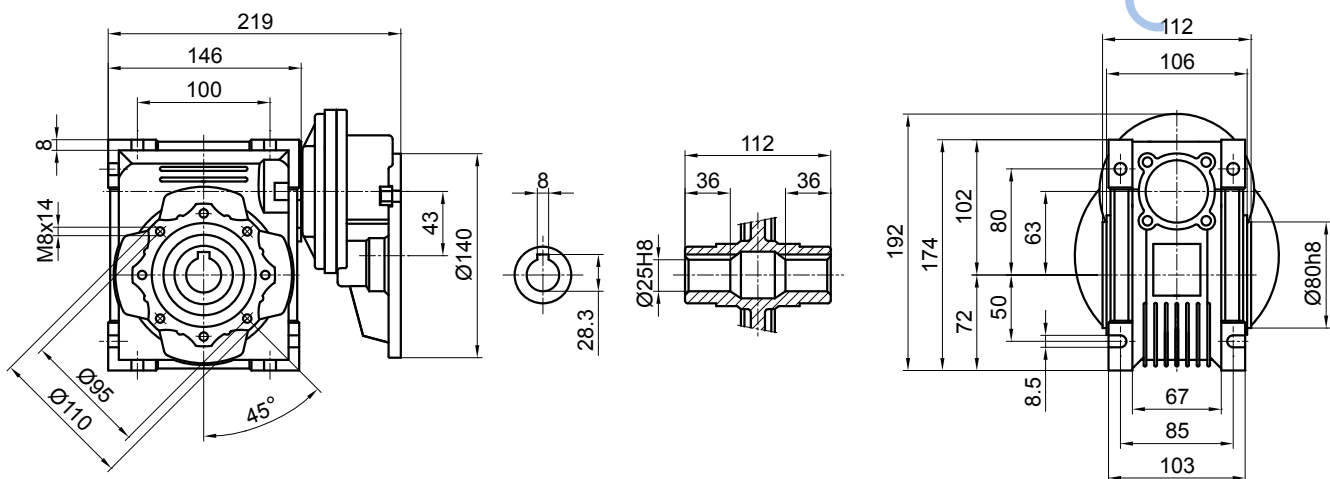
PC063 - NMRV040



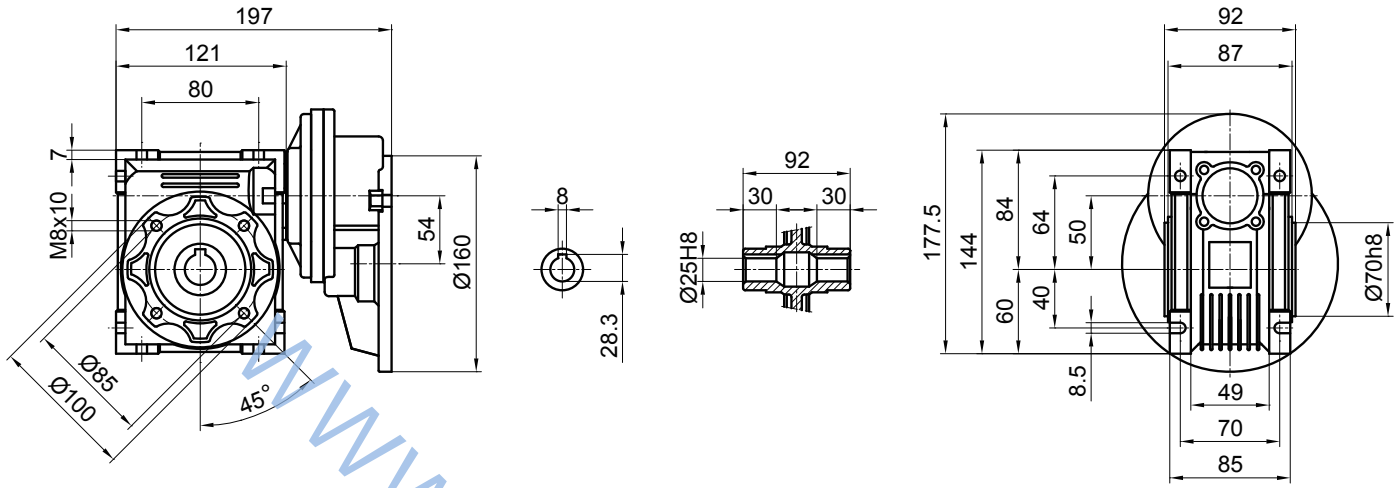
PC063 - NMRV050



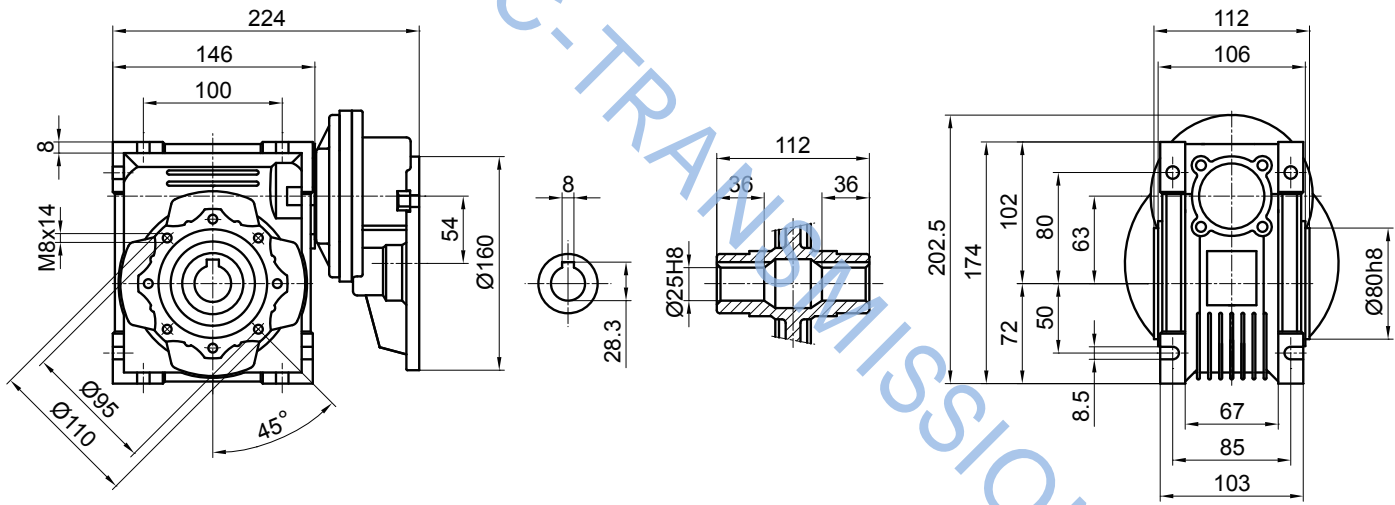
PC063 - NMRV063



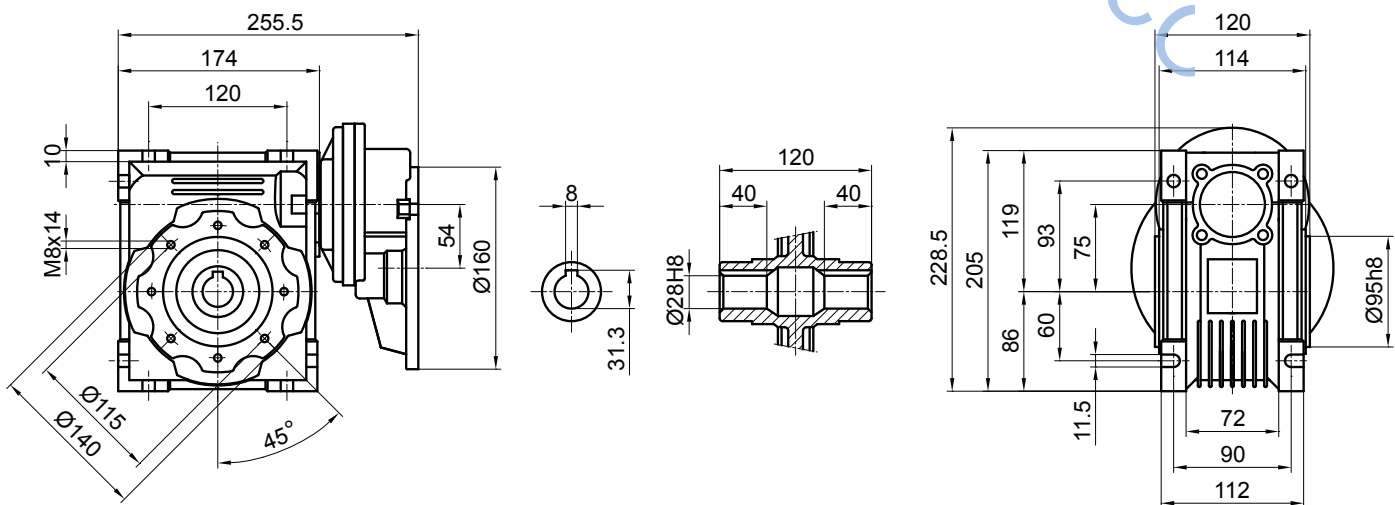
PC071 - NMRV050



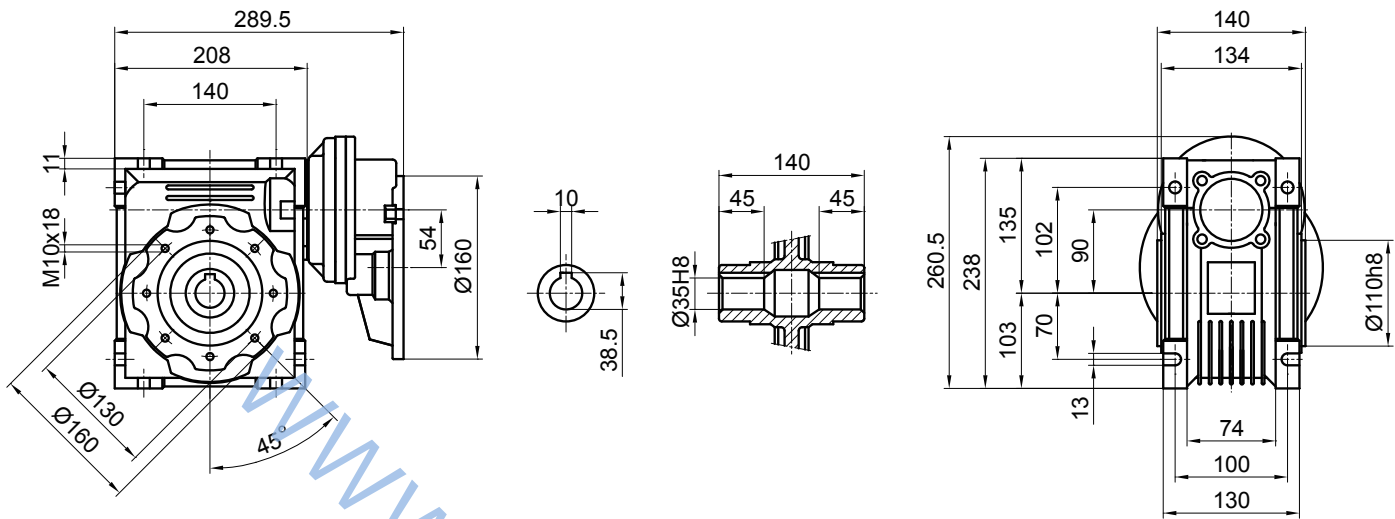
PC071 - NMRV063



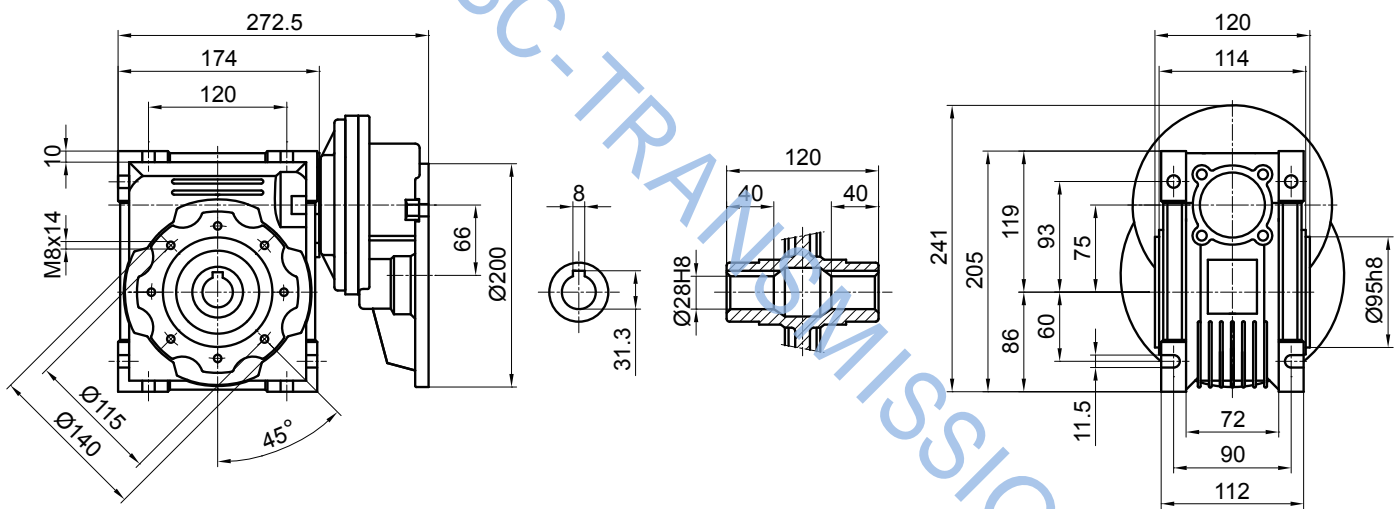
PC071 - NMRV075



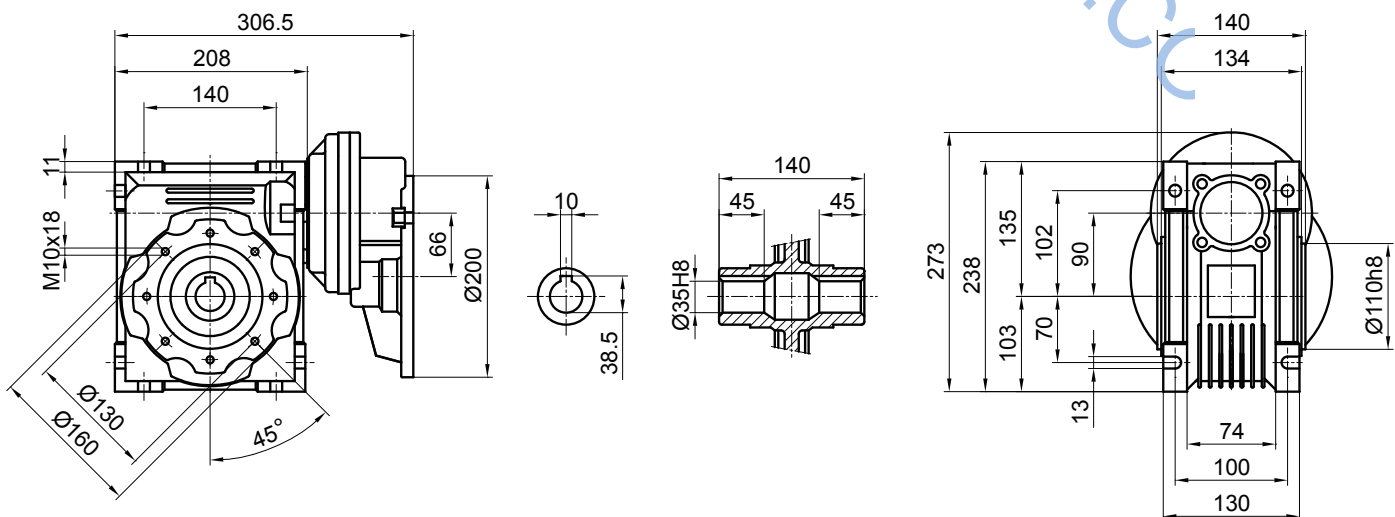
PC071 - NMRV090



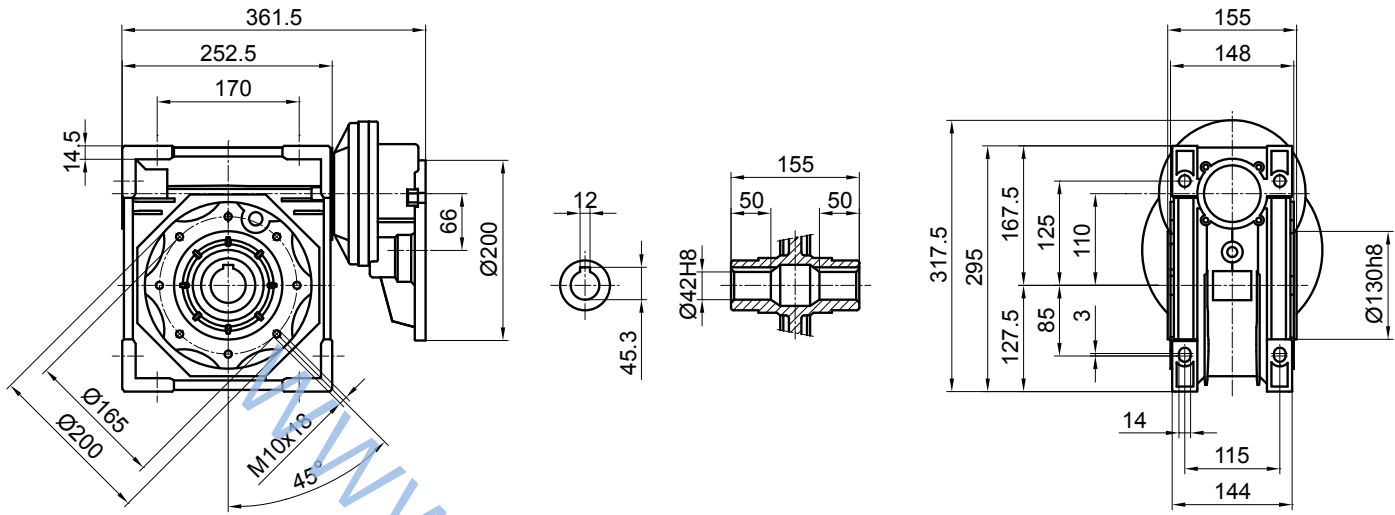
PC080 - NMRV075



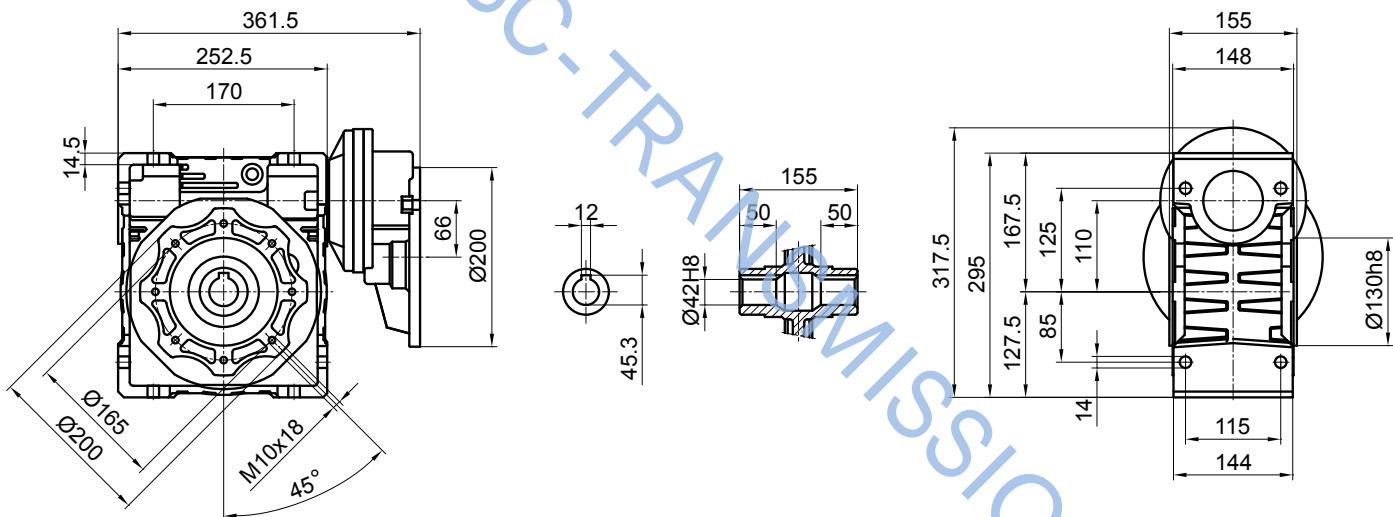
PC080 - NMRV090



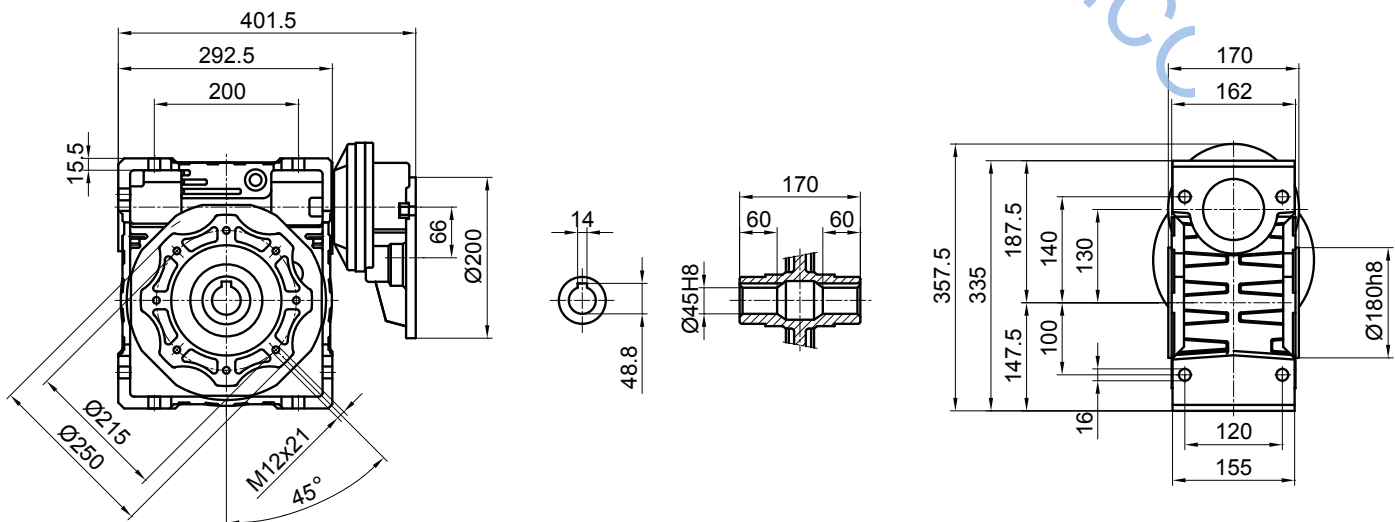
PC080(090) - NMRV105



PC080(090) - NMRV111



PC080(090) - NMRV130



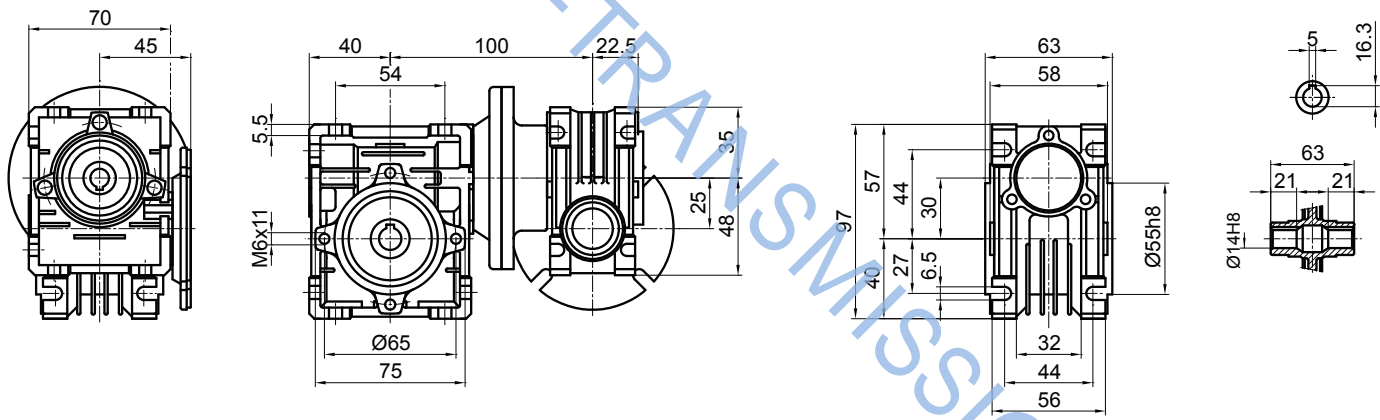
10.3 **NMRV+NMRV** 尺寸图

- 关于输出法兰的尺寸，请参考NMRV有关图纸。
- 关于空心输出轴的尺寸，请参考NMRV的相关图纸。
- 关于双轴伸蜗杆的尺寸，请参考NMRV的相关图纸。

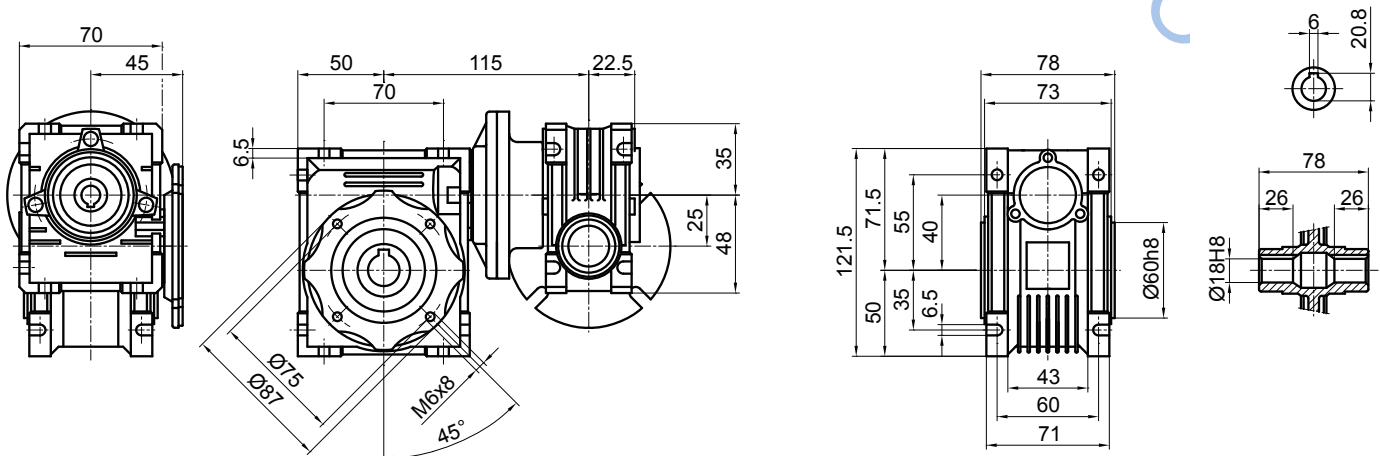
10.3 **NMRV+NMRV** Dimensions charts

- For the dimensions of the output flanges, please consider the drawing of relevant NMRV size.
- For the dimensions of the hollow shafts in option, please consider the drawing of relevant NMRV size.
- For the dimensions of the double extension worm shafts, please consider the drawing of relevant NMRV size

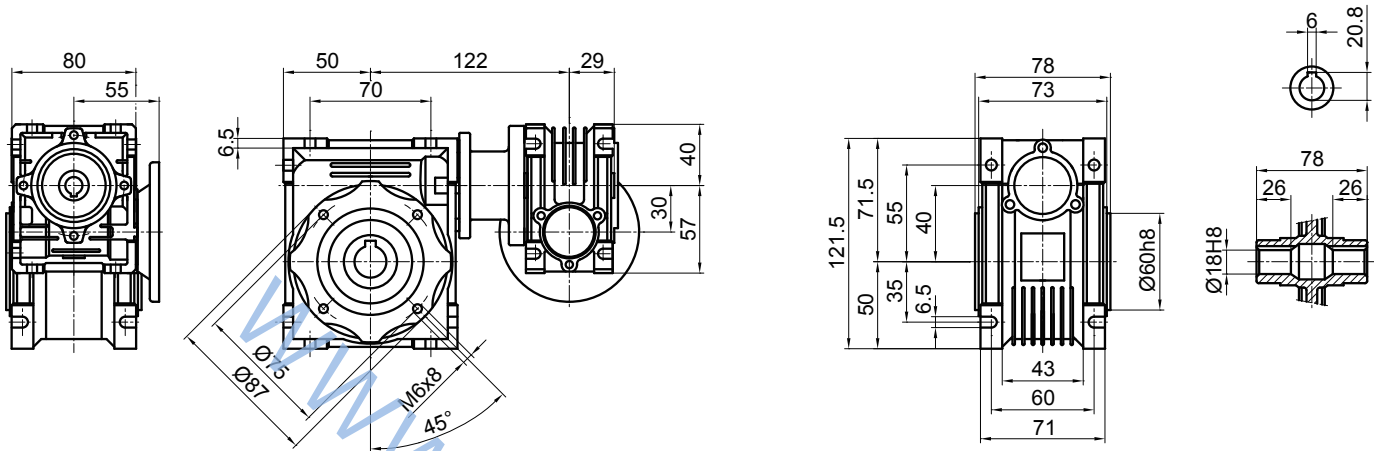
NMRV 025 - 030



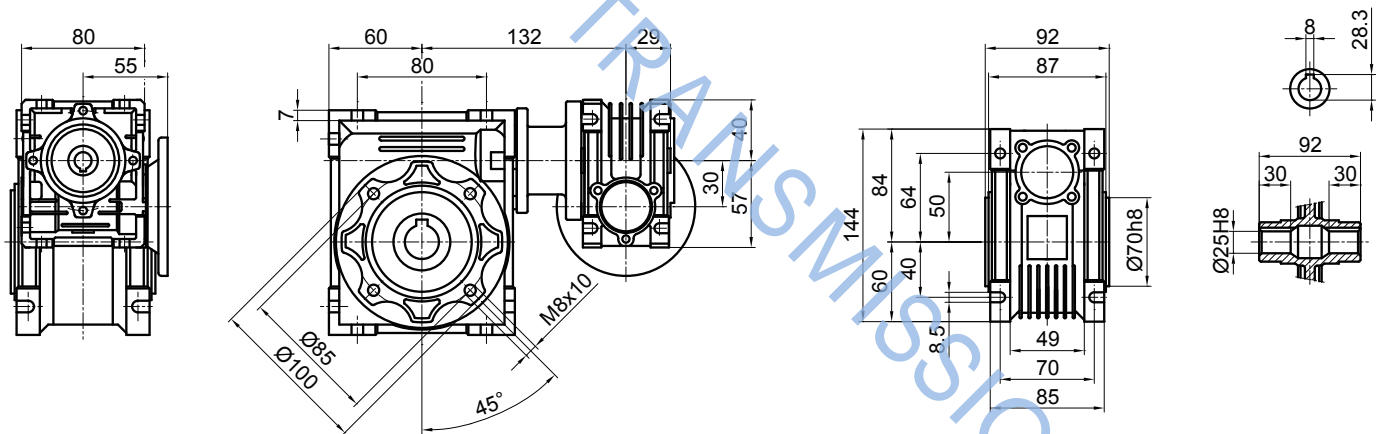
NMRV 025 - 040



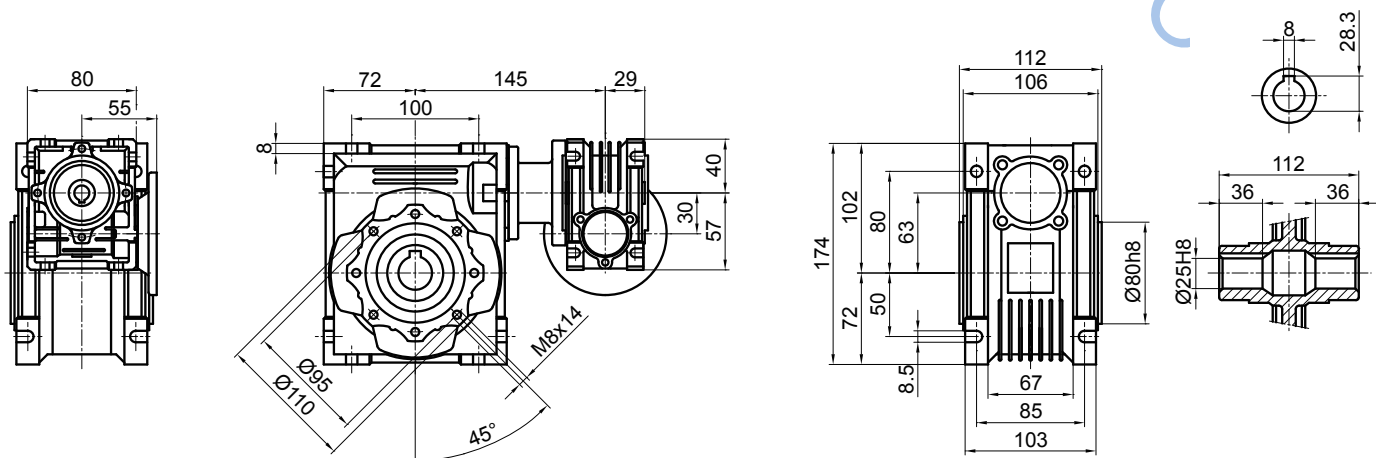
NMRV 030 - 040



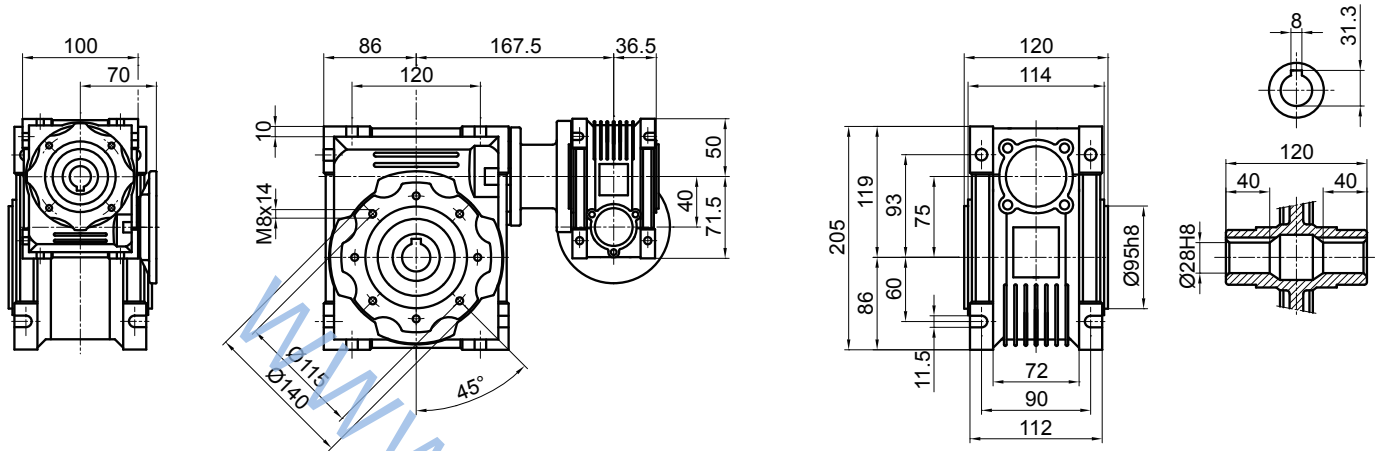
NMRV 030 - 050



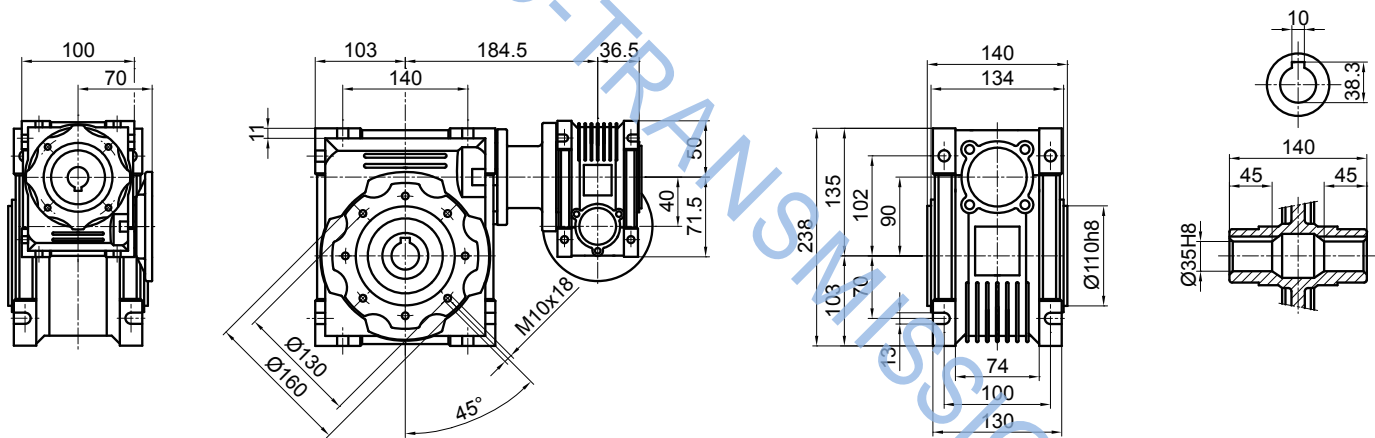
NMRV 030 - 063



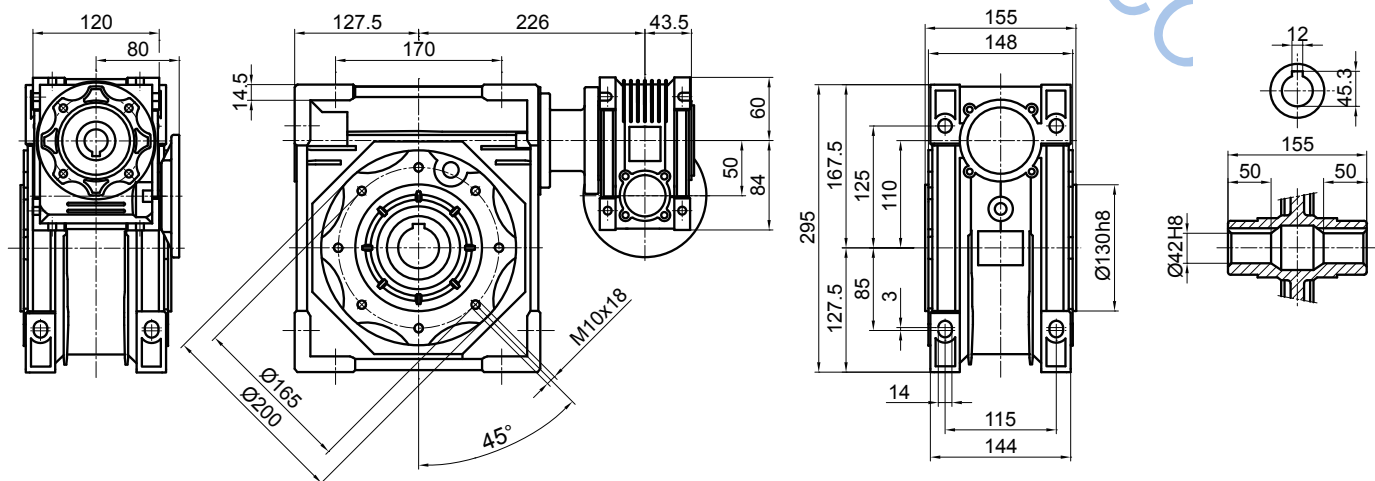
NMRV 040 - 075



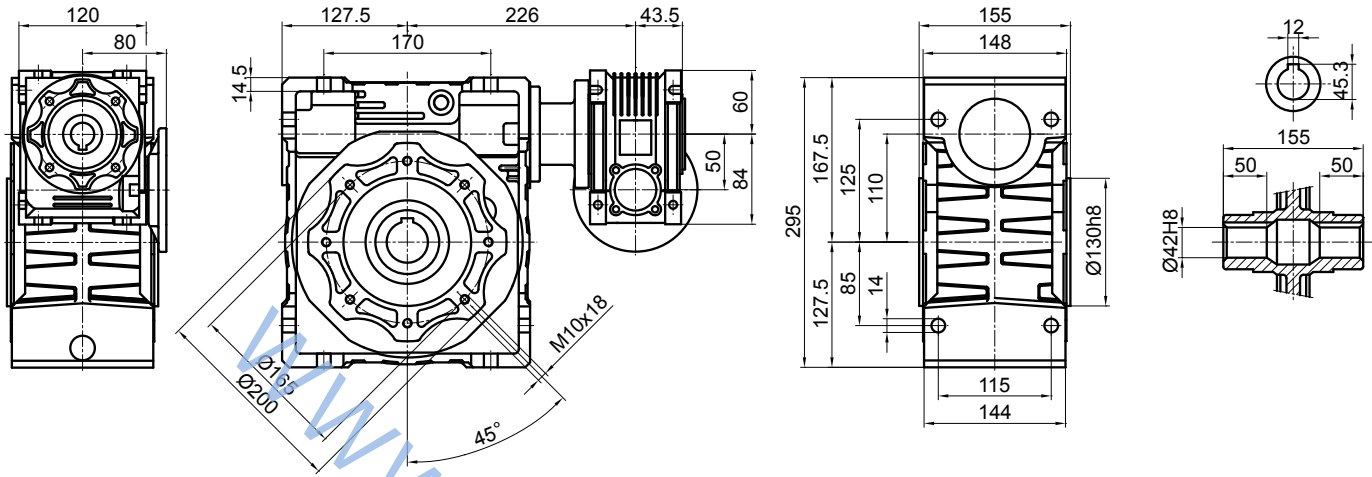
NMRV 040 - 090



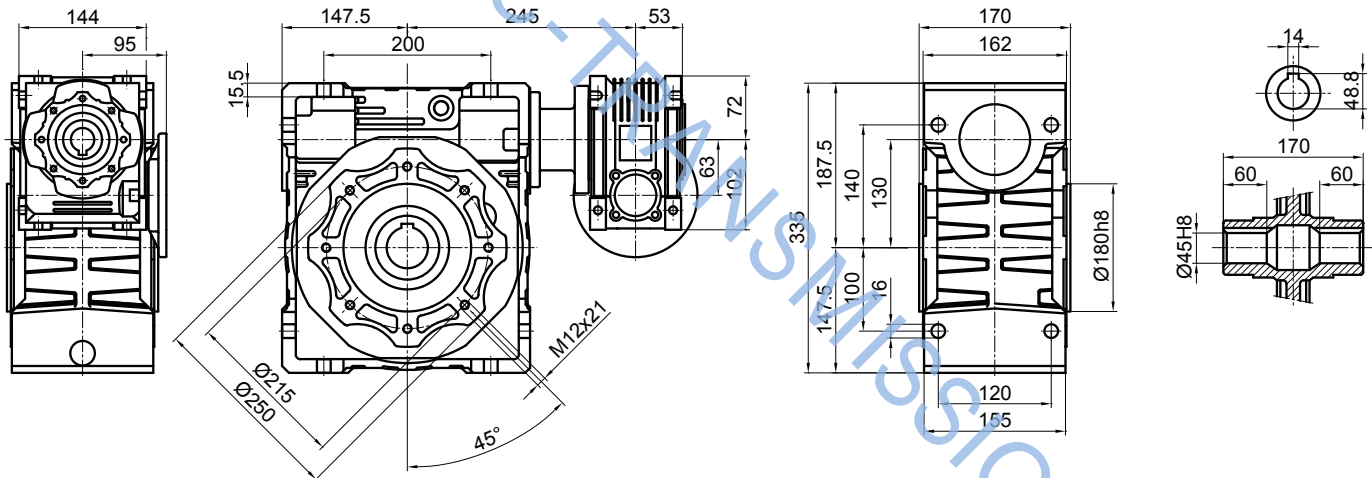
NMRV 050 - 105



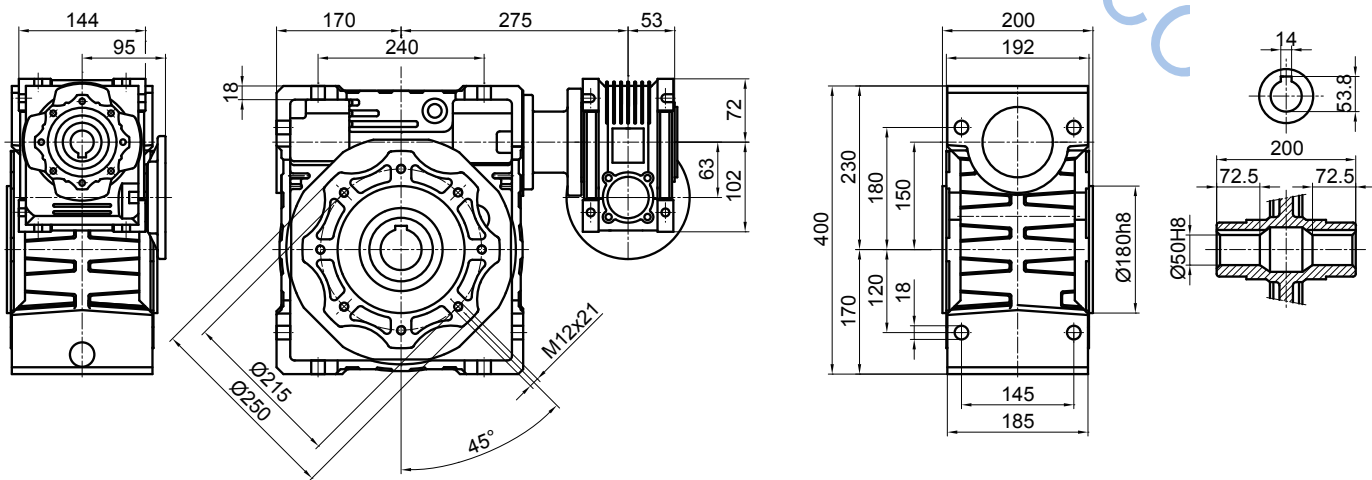
NMRV 050 - 110

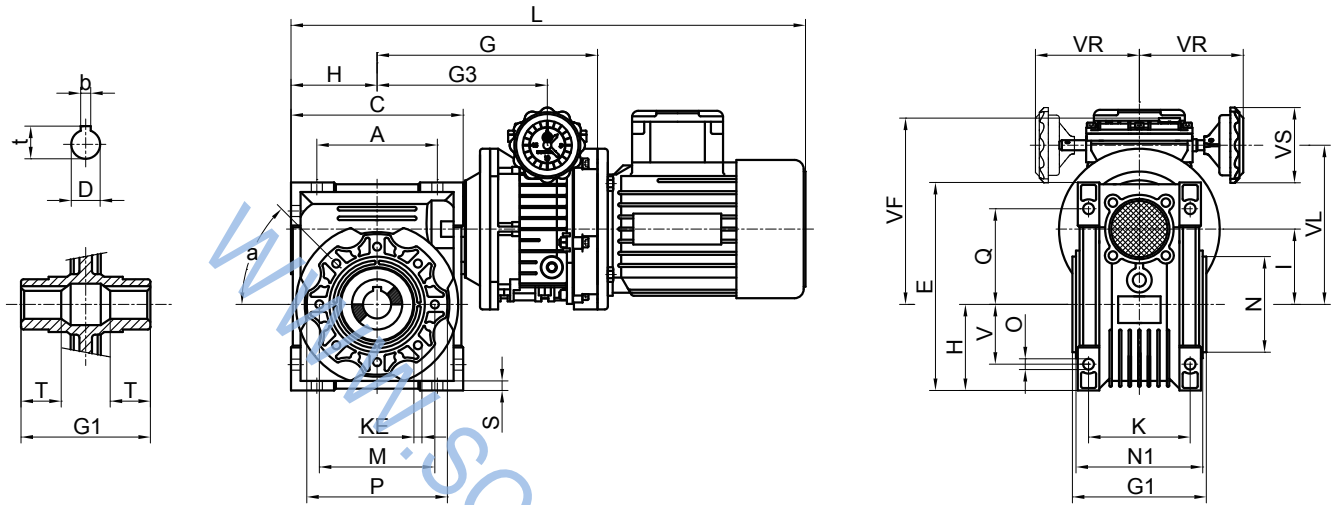


NMRV 063 - 130



NMRV 063 - 150

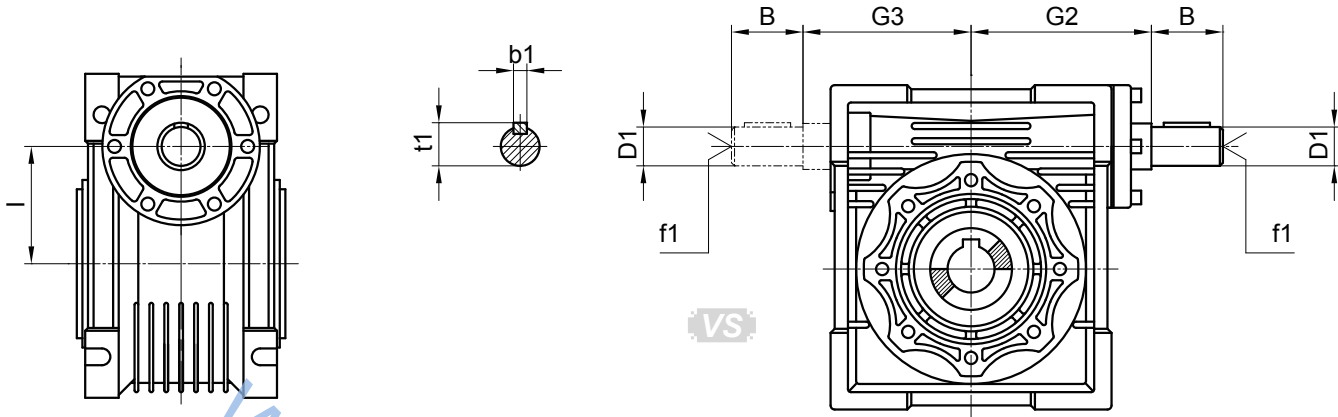




	A	C	D _{H8}	b	t	E	G	G1	G3	H	I	L	M	N _{H8}	N1	O	P	Q	S	T	V	VF	VR	VS	VL	K	KE	a
UDL002-NMRV040							181.5		134			438.5										153	113	70	118			
UDL005NMRV040	70	100	18	6	20.8	121.5	178	78	141.5	50	40	453	75	60	73	6.5	87	55	6.5	26	35	165	113	70	131	60	M6x8 (n=4)	45°
TXF005NMRV040							177		127			452										152	115	70	123.5			
UDL002NMRV050							191.5		144			458.5										163	113	70	128			
UDL005NMRV050	80	120	25	8	28.3	144	188	92	151.5	60	50	473	85	70	87	8.5	100	64	7	30	40	175	113	70	141	70	M8x10 (n=8)	45°
TXF005NMRV050							187		137			472										162	115	70	133.5			
UDL005NMRV063							204		167.5			501										188	113	70	154			
TXF005NMRV063							203		153			500										175	115	70	146.5			
UDL010-NMRV063	100	144	25	8	28.3	174	239.5	112	183.5	72	63	566.5	95	80	106	8.5	110	80	8	36	50	205	120	85	170	85	M8x14 (n=8)	45°
TXF010-NMRV063							227		164.5			554										197	126	85	166			
UDL010-NMRV075							256.5		200.5			597.5										217	120	85	182			
TXF010NMRV075	120	172	28	8	31.3	205	244	120	181.5	86	75	585	115	95	114	11	140	93	10	40	60	209	126	85	178	90	M8x14 (n=8)	45°
UD020NMRV075							287		219.5			668										223	140	85	202			
UDL010-NMRV090							273		217			631										232	120	85	197			
TXF010-NMRV090	140	206	35	10	38.3	238	260.5	140	198	103	90	618.5	130	110	134	13	160	102	11	45	70	224	126	85	193	110	M10x18 (n=8)	45°
UD020-NMRV090							304		236.5			702										238	140	85	217			
UDL010-NMRV105							303.5		247.5			686										252	120	85	217			
UDL010NMRV110																												
TXF010NMRV105							291		228.5			673.5										244	120	85	213			
TXF010NMRV110																												
UD020NMRV105	170	252.5	42	12	45.3	295	334	155	266.5	127.5	110	756.5	165	130	148	14	200	125	14	50	85	258	140	85	237	115	M10x18 (n=8)	45°
UD020NMRV110																												
UD030NMRV105												834.5										291	150	120	268			
UD030NMRV110																												
UD050NMRV105							382		291			849.5																
UD050NMRV110																												
UD020NMRV130							354		286.5			796.5										278	140	85	257			
UD030NMRV130	200	292.5	45	14	48.8	335	402	170	311	147.5	130	874.5	215	180	162	16	250	140	15	60	100	311	150	120	288	120	M12x21 (n=8)	45°
UD050NMRV130							402		311			889.5										311	150	120	288			

10.5 **NRV** 尺寸图

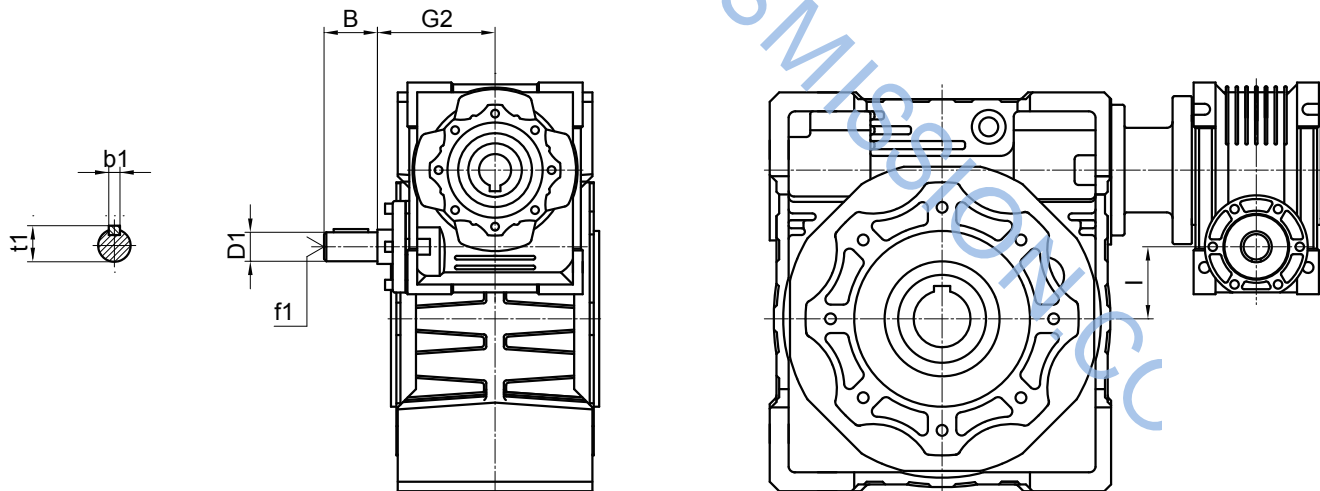
10.5 **NRV** Dimensions charts



RV	025	030	040	050	063	075	090	105/110	130	150
B	20	20	23	30	40	50	50	60	80	80
D1	9 j6	9 j6	11 j6	14 j6	19 j6	24 j6	24 j6	28 j6	30 j6	35 j6
G2	38	51	60	74	90	105	125	142	162	195
G3	37	45	53	64	75	90	108	135	155	175
I	25	30	40	50	63	75	90	110	130	150
b1	3	3	4	5	6	8	8	8	8	10
f1	-	-	-	M6	M6	M8	M8	M10	M10	M12
t1	10.2	10.2	12.5	16	21.5	27	27	31	33	38

10.6 **NRV+JMRV** 尺寸图

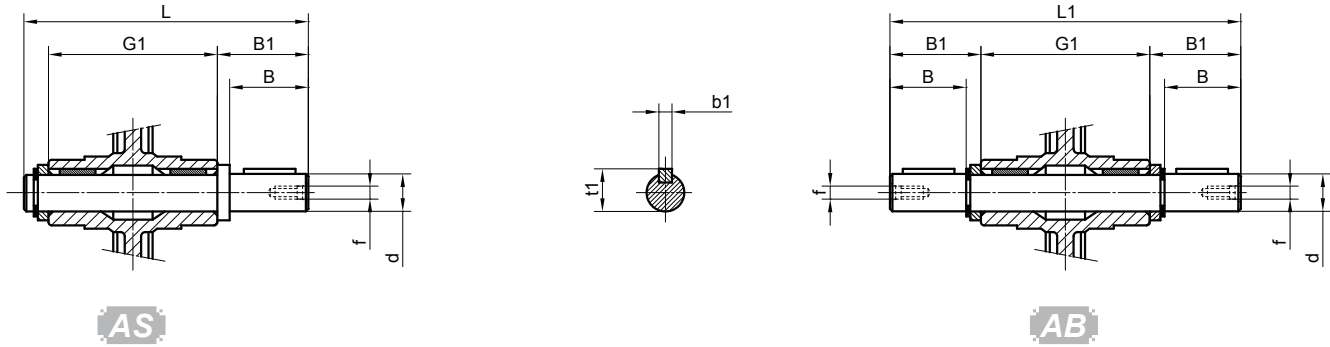
10.6 **NRV+NMRV** Dimensions charts



NRV-NMRV	030-040	030-050	030-063	040-075	040-090	050-105 050-110	063-130	063-150
B	20	20	20	23	23	30	40	40
D1	9 j6	9 j6	9 j6	11 j6	11 j6	14 j6	19 j6	19j6
G2	51	51	51	60	60	74	90	90
I	10	20	33	35	50	50	67	87
b1	3	3	3	4	4	5	6	6
f1	-	-	-	-	-	M6	M6	M6
t1	10.2	10.2	10.2	12.5	12.5	16	21.5	21.5

10.7 输出轴

10.7 Output shaft

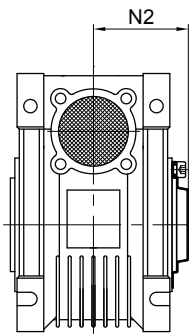


	d	B	B1	G1	L	L1	f	b1	t1
025	11 g6 (9)	23 (25)	25.5 (30)	50	81 (85.5)	101	-	4 (3)	12.5 (10.2)
030	14 g6	30	32.5	63	102	128	M6	5	16
040	18 h6	40	43	78	128	164	M6	6	20.5
050	25 h6	50	53.5	92	153	199	M10	8	28
063	25 h6	50	53.5	112	173	219	M10	8	28
075	28 h6	60	63.5	120	192	247	M10	8	31
090	35 h6	80	84.5	140	234	309	M12	10	38
105/110	42 h6	80	84.5	155	249	324	M16	12	45
130	45 h6	80	85	170	265	340	M16	14	48.5
150	50 h6	82	87	200	297	374	M16	14	53.5

(..) 根据用户要求定制
(..) Only on request

10.8 防护罩

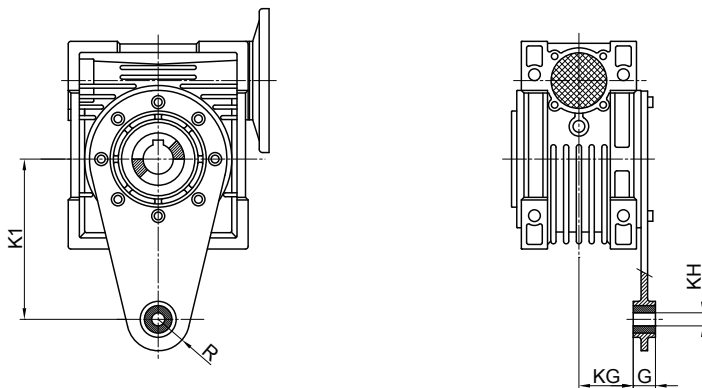
10.8 Protective Cover



	N2
030	42
040	50
050	58
063	69
075	74
090	86
105/110	94
130	102
150	113

10.9 扭力臂

10.9 Torque arm



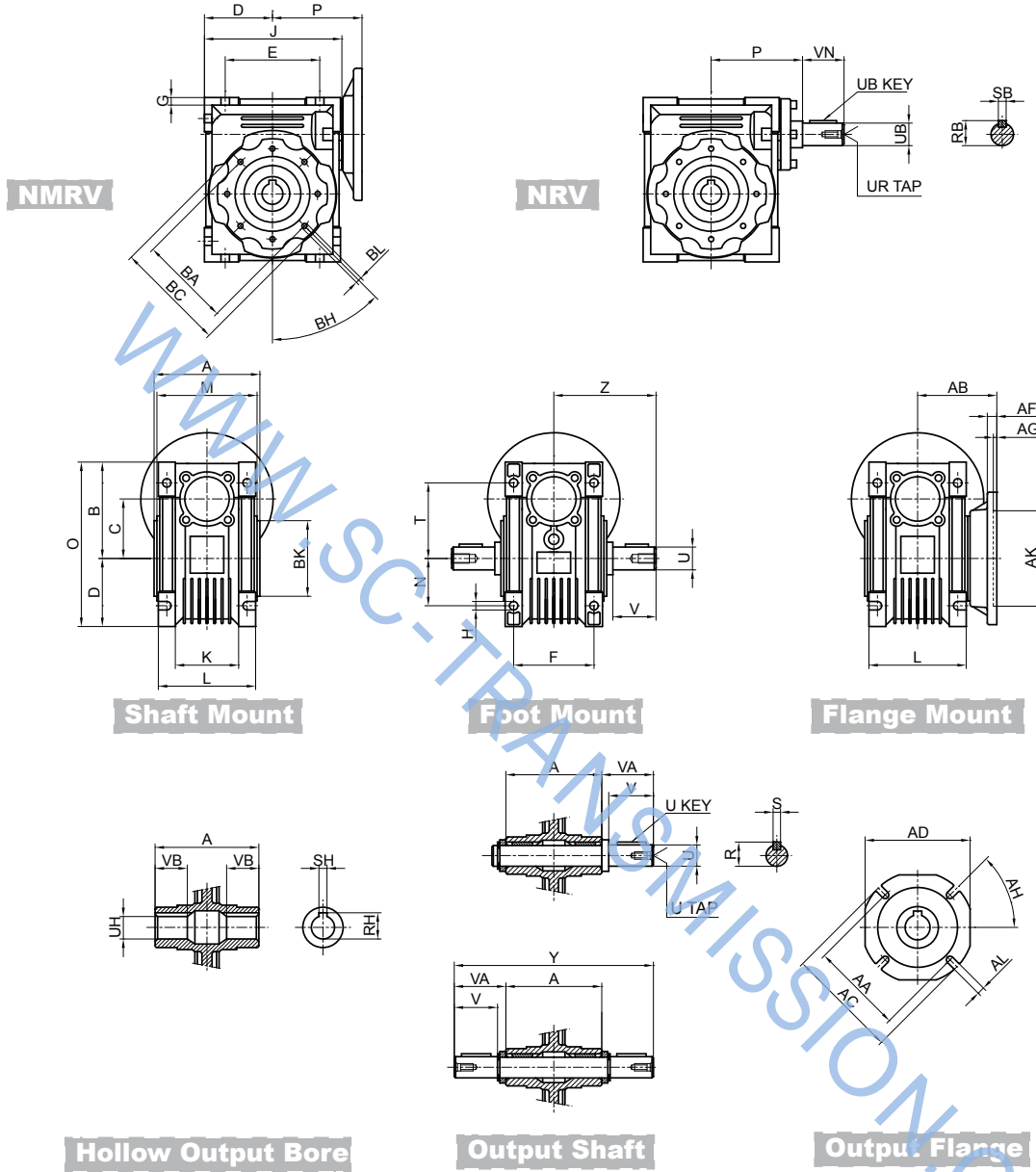
	K1	G	KG	KH	R
025	70	14	17.5	8	15
030	85	14	24	8	15
040	100	14	31.5	10	18
050	100	14	38.5	10	18
063	150	14	49	10	18
075	200	25	47.5	20	30
090	200	25	57.5	20	30
105/110	250	30	62	25	35
130	250	30	69	25	35
150	250	30	84	25	35

11.0 NMRV-英制系列

NMRV-INCH SERIES

11.1 尺寸

11.1 Dimensions chart



Hollow Output Bore	030	040	050	063	075	090	105/110	130	150
RH	0.71	0.84	1.12	1.24	1.37	1.52	1.8	1.93	2.22
SH	0.1875	0.1875	0.25	0.25	0.25	0.3125	0.375	0.375	0.500
UH	0.625 ^{+0.001} ₀	0.75 ^{+0.001} ₀	1.0 ^{+0.001} ₀	1.125 ^{+0.001} ₀	1.25 ^{+0.001} ₀	1.375 ^{+0.001} ₀	1.625 ^{+0.001} ₀	1.75 ^{+0.001} ₀	2.0 ^{+0.001} ₀
VB	0.83	1.14	1.28	1.42	1.56	1.77	1.97	2.24	2.85

Output Shaft	030	040	050	063	075	090	105/110	130	150
R	0.7	0.83	1.11	1.23	1.36	1.51	1.79	1.92	2.22
S	0.1875	0.1875	0.25	0.25	0.25	0.3125	0.375	0.375	0.500
U	0.625 ⁰ _{-0.0005}	0.75 ⁰ _{-0.0005}	1.0 ⁰ _{-0.0005}	1.125 ⁰ _{-0.0005}	1.25 ⁰ _{-0.0005}	1.375 ⁰ _{-0.0005}	1.625 ⁰ _{-0.0005}	1.75 ⁰ _{-0.0005}	2.0 ⁰ _{-0.0005}
U KEY	0.1875x1.125	0.1875x1.5	0.25x1.5	0.25x1.875	0.25x2.25	0.3125x2.5	0.375x2.75	0.375x2.75	0.50x3.50
U TAP	1/4-20	1/4-20	3/8-16	3/8-16	1/2-13	1/2-13	5/8-11	5/8-11	3/4-10
V	1.57	1.97	1.97	2.36	2.76	3.15	3.54	3.54	3.94
VA	1.67	2.09	2.11	2.5	2.89	3.33	3.72	3.74	4.13
Y	5.82	7.25	7.84	9.41	10.5	12.17	13.54	14.17	16.13

	030	040	050	063	075	090	105/110	130	150
A	2.48	3.07	3.62	4.41	4.72	5.51	6.1	6.69	7.87
B	2.24	2.81	3.31	4.02	4.69	5.31	6.59	7.38	9.06
BA	2.56	2.95	3.35	3.74	4.53	5.12	6.5	8.46	8.46
BC	2.95	3.43	3.94	4.33	5.51	6.3	7.87	9.84	9.84
BH	90°	45°	45°	45°	45°	45°	45°	45°	45°
BK	2.165 ⁰ _{-0.0018}	2.362 ⁰ _{-0.0018}	2.756 ⁰ _{-0.0018}	3.15 ⁰ _{-0.0021}	3.74 ⁰ _{-0.0021}	4.331 ⁰ _{-0.0021}	5.118 ⁰ _{-0.0025}	7.087 ⁰ _{-0.0025}	7.087 ⁰ _{-0.0025}
BL	M6x11	M6x10	M8x10	M8x14	M8x14	M10x18	M10x18	M12x21	M12x21
C	1.18	1.57	1.97	2.48	2.95	3.54	4.33	5.12	5.91
D	1.57	1.97	2.36	2.83	3.39	4.06	5.02	5.81	6.69
E	2.13	2.76	3.15	3.94	4.72	5.51	6.69	7.87	9.45
F	1.73	2.36	2.76	3.35	3.54	3.94	4.53	4.72	5.71
G	0.22	0.26	0.28	0.31	0.39	0.43	0.57	0.61	0.71
H	0.26	0.26	0.33	0.33	0.45	0.51	0.55	0.63	0.71
J	3.15	3.98	4.76	5.75	6.85	8.19	9.94	11.52	13.39
K	1.26	1.69	1.93	2.64	2.83	2.91	-	-	-
L	2.2	2.8	3.35	4.06	4.41	5.12	5.67	6.1	7.28
M	2.28	2.87	3.43	4.17	4.49	5.28	5.83	6.38	7.56
N	1.06	1.38	1.57	1.97	2.36	2.76	3.35	3.94	4.72
O	3.82	4.78	5.67	6.85	8.07	9.37	11.61	13.19	15.75
P	2.64	3.15	3.54	4.13	4.96	5.63	6.81	7.6	8.46
Q	0.83	2.36	2.91	3.54	4.13	4.92	5.59	6.38	7.68
T	1.73	2.17	2.52	3.15	3.66	4.02	4.92	5.51	7.09
Z	2.91	3.63	3.92	4.71	5.25	6.09	6.77	7.09	8.07

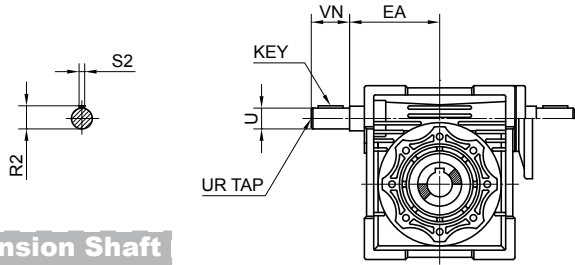
Output Flange		AA	AB	AC	AD	AF	AG	AH	AK	AL
030	FA	2.68	2.15	3.15	2.76	0.24	0.16	45°	1.969 ^{+0.0015} ₀	0.26
	FB	2.95	2.64	4.33	3.74	0.28	0.16	45°	2.362 ^{+0.0018} ₀	0.35
040	FB	2.95	3.82	4.33	3.74	0.28	0.16	45°	2.362 ^{+0.0018} ₀	0.35
	FC	4.53	3.15	5.51	-	0.35	0.2	45°	3.740 ^{+0.0021} ₀	0.37
	FD	3.94	2.28	4.72	-	0.47	0.2	45°	3.150 ^{+0.0018} ₀	0.35
	FA	3.35	3.54	4.92	4.33	0.35	0.2	45°	2.756 ^{+0.0018} ₀	0.43
050	FB	3.35	4.72	4.92	4.33	0.35	0.2	45°	2.756 ^{+0.0018} ₀	0.43
	FC	5.12	3.5	6.3	-	0.39	0.2	45°	4.331 ^{+0.0021} ₀	0.37
	FD	4.53	2.83	5.51	-	0.57	0.2	45°	3.543 ^{+0.0021} ₀	0.43
063	FA	4.13	3.23	7.09	5.59	0.39	0.24	45°	4.528 ^{+0.0021} ₀	0.43
	FB	5.91	4.41	7.09	5.59	0.39	0.24	45°	4.528 ^{+0.0021} ₀	0.43
	FC	6.5	3.86	7.87	-	0.39	0.2	45°	5.118 ^{+0.0025} ₀	0.43
	FD	6.5	4.21	7.87	-	0.39	0.2	45°	5.118 ^{+0.0025} ₀	0.43
	FE	5.12	3.17	6.3	-	0.65	0.2	45°	4.331 ^{+0.0021} ₀	0.43
075	FA	6.5	4.37	7.87	6.69	0.51	0.24	45°	5.118 ^{+0.0025} ₀	0.55
	FB	5.12	3.54	6.3	-	0.51	0.24	45°	4.331 ^{+0.0021} ₀	0.55
090	FA	6.89	4.37	8.27	8.27	0.51	0.24	45°	5.984 ^{+0.0025} ₀	0.55
	FB	8.46	4.8	9.84	-	0.71	0.24	45°	7.087 ^{+0.0025} ₀	0.55
	FC	6.5	4.33	7.87	-	0.67	0.24	45°	5.118 ^{+0.0025} ₀	0.43
	FD	6.89	5.94	8.27	-	0.51	0.24	45°	5.984 ^{+0.0025} ₀	0.55
105	FA	9.06	5.16	11.02	10.24	0.59	0.24	45°	6.693 ^{+0.0025} ₀	0.55
110	FB	9.06	7.09	11.02	10.24	0.59	0.24	45°	6.693 ^{+0.0025} ₀	0.55
130	FA	10.04	5.51	12.6	11.42	0.59	0.24	22.5°	7.087 ^{+0.0025} ₀	0.63
150	FA	10.04	6.10	12.6	11.42	0.59	0.24	22.5°	7.087 ^{+0.0025} ₀	0.63

Input Shaft	030	040	050	063	075	090	105/110	130	150
SB	0.094	0.125	0.1875	0.1875	0.1875	0.1875	0.25	0.25	0.3125
RB	0.42	0.55	0.7	0.83	0.96	0.96	1.24	1.36	1.51
UB	0.375 ⁰ _{-0.0005}	0.5 ⁰ _{-0.0005}	0.625 ⁰ _{-0.0005}	0.75 ⁰ _{-0.0005}	0.875 ⁰ _{-0.0005}	0.875 ⁰ _{-0.0005}	1.125 ⁰ _{-0.0005}	1.25 ⁰ _{-0.0005}	1.375 ⁰ _{0.0005}
UB KEY	0.094x0.875	0.125x0.875	0.1875x1.125	0.1875x1.5	0.1875x1.875	0.1875x1.875	0.25x2.25	0.25x2.5	0.3125x2.875
UR TAP	-	1/4-20	1/4-20	1/4-20	1/4-20	1/4-20	3/8-16	1/2-13	1/2-13
VN	1.18	1.18	1.58	1.97	2.36	2.36	2.76	3.15	3.15

11.2 VS 尺寸图

11.2 VS Dimensions charts

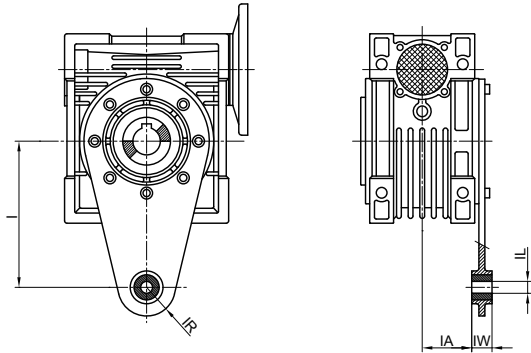
High Speed Extension Shaft



	EA	U	VN	UR	S2	R2	KEY	
							Length	Square
030	1.772	0.375 ⁰ _{-0.0005}	1.18	-	0.093	0.42	0.875	0.094
040	2.087	0.5 ⁰ _{-0.0005}	1.18	1/4-20	0.13	0.55	0.875	0.125
050	2.52	0.625 ⁰ _{-0.0005}	1.58	1/4-20	0.19	0.7	1.125	0.188
063	2.953	0.75 ⁰ _{-0.0005}	1.97	1/4-20	0.19	0.83	1.5	0.188
075	3.543	0.875 ⁰ _{-0.0005}	2.36	1/4-20	0.19	0.96	1.875	0.188
090	4.252	0.875 ⁰ _{-0.0005}	2.36	1/4-20	0.19	0.96	1.875	0.188
105/110	5.315	1.125 ⁰ _{-0.0005}	2.76	3/8-16	0.25	1.24	2.25	0.25
130	6.102	1.25 ⁰ _{-0.0005}	3.15	1/2-13	0.25	1.36	2.5	0.25
150	8.27	1.375 ⁰ _{-0.0005}	3.15	1/2-13	0.32	1.51	2.875	0.315

11.3 扭力臂

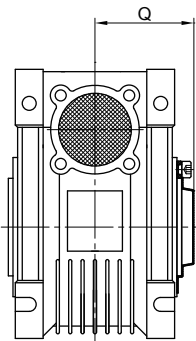
11.3 Torque Arm



	I	IA	IL	IR	IW
025	2.76	0.69	0.31	0.59	0.55
030	3.35	0.94	0.31	0.59	0.55
040	3.94	1.24	0.39	0.71	0.55
050	3.94	1.52	0.39	0.71	0.55
063	5.91	1.93	0.39	0.71	0.55
075	7.87	1.87	0.79	1.18	0.98
090	7.87	2.26	0.79	1.18	0.98
105/110	9.84	2.44	0.98	1.38	1.18
130	9.84	2.72	0.98	1.38	1.18
150	9.84	3.31	0.98	1.38	1.18

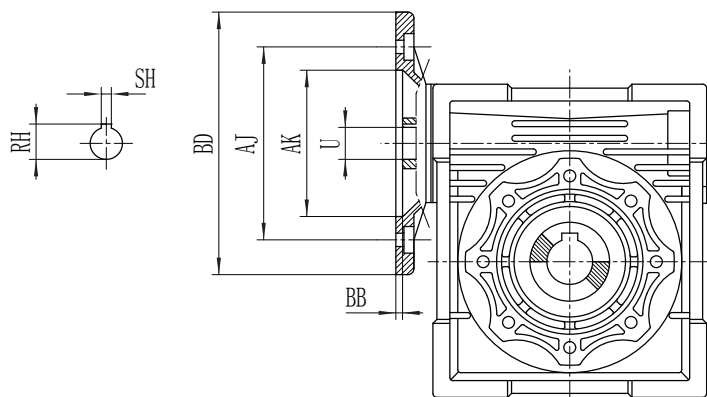
11.4 防护罩

11.4 Protective Cover



	Q
030	1.65
040	1.97
050	2.28
063	2.72
075	2.91
090	3.39
105/110	3.7
130	4.02
150	4.45

	NEMA Flange	Input Bore Diameter	Available Ratios											
			5	7.5	10	15	20	25	30	40	50	60	80	100
030	48C	0.5	•	•	•	•	•	•	•	•	•	•	•	
040	56C	0.625	•	•	•	•	•	•	•	•	•	•	•	•
050	56C	0.625	•	•	•	•	•	•	•	•	•	•	•	•
063	56C	0.625					•	•	•	•	•	•	•	•
	140TC	0.875		•	•	•	•	•	•	•				
075	56C	0.625									•	•	•	•
	140TC	0.875				•	•	•	•	•				
	180TC	1.125		•	•	•								
090	56C	0.625											•	•
	140TC	0.875						•	•	•	•	•		
	180TC	1.125		•	•	•	•	•	•	•				
105 110	140TC	0.875									•	•	•	•
	180TC	1.125					•	•	•	•	•	•		
	210TC	1.375		•	•	•	•							
130	140TC	0.875											•	•
	180TC	1.125							•	•	•	•	•	
	210TC	1.375		•	•	•	•	•	•	•				
150	180TC	1.125							•	•	•	•	•	•
	210TC	1.375					•	•	•	•				
	250TC	1.625		•	•	•	•							



	NEMA Flange	DIMENSIONS						
		AK	AJ	BD	BB	RH	SH	U
030	48C	3.00	3.75	5.63	0.20	0.56	0.125	0.500
040	56C	4.50	5.88	6.50	0.20	0.71	0.188	0.625
050	56C	4.50	5.88	6.50	0.20	0.71	0.188	0.625
063	56C	4.50	5.88	6.50	0.20	0.71	0.188	0.625
	140TC	4.50	5.88	6.50	0.20	0.97	0.188	0.875
075	56C	4.50	5.88	6.50	0.20	0.71	0.188	0.625
	140TC	4.50	5.88	6.50	0.20	0.97	0.188	0.875
	180TC	8.50	7.25	9.00	0.22	1.24	0.250	1.125
090	56C	4.50	5.88	6.50	0.20	0.71	0.188	0.625
	140TC	4.50	5.88	6.50	0.20	0.97	0.188	0.875
	180TC	8.50	7.25	9.00	0.22	1.24	0.250	1.125
105 110	140TC	4.50	5.88	6.50	0.20	0.97	0.188	0.875
	180TC	8.50	7.25	9.00	0.22	1.24	0.250	1.125
	210TC	8.50	7.25	9.00	0.22	1.52	0.313	1.375
130	140TC	4.50	5.88	6.50	0.20	0.97	0.188	0.875
	180TC	8.50	7.25	9.00	0.22	1.24	0.250	1.125
	210TC	8.50	7.25	9.00	0.22	1.52	0.313	1.375
150	180TC	8.50	7.25	9.00	0.22	1.24	0.250	1.125
	210TC	8.50	7.25	9.00	0.22	1.52	0.313	1.375
	250TC	8.50	7.25	9.00	0.22	1.59	0.375	1.625

WWW.SCI-TRANSMISSION.CC